



2026

SILVERADO 5W4 SSV



Shown with equipment from independent suppliers not covered by the GM New Vehicle Limited Warranty. GM is not responsible for the safety or quality of independent supplier alterations.





About This Publication

This catalog is not updated during the model year and should not be used for ordering purposes. It is intended as a source of basic information. All illustrations and specifications in this literature are based on the latest product information available at the time of publication. General Motors reserves the right to make changes at any time without notice. For further details, consult your local dealer.

Care must be taken during customer installation of equipment and wiring to ensure that all holes drilled in the body are corrosion protected, properly sealed and that vehicle wiring harnesses, piping or other components have not been displaced or damaged. Aftermarket equipment installers must be mindful of applicable Federal Motor Vehicle Safety Standards. This information can be obtained directly from the National Highway Traffic Safety Administration. Adding non-dealer accessories or making modifications to the vehicle can affect vehicle performance, aerodynamics, and overall top speed. Please return all police vehicles to factory condition and settings upon decommissioning to prevent civilians from using these new 2026 calibrations, lighting and other features intended only for police and emergency customers. Wiring connection or splice changes are to be removed before the vehicle is returned to civilian use.

These vehicles are equipped with an airbag system. The airbag system in your police vehicle includes frontal driver and front outboard passenger airbags, front seat back side impact airbags and Head-curtain airbags for all rows in outboard seating positions. Customer installed equipment such as security barriers behind the front seats should not be mounted so that the barrier ends are within the side airbag deployment zones. The sensors and other components for the airbag system must not be relocated to accommodate the installation of customer furnished equipment; please refer to the service manual for sensor and other component locations. For information concerning instrument panel top pad mounted equipment and airbag system deployment zones, see the airbag information section in this catalog and the vehicle owners manual.

A note about vehicle alterations by independent suppliers: This catalog shows pictures of vehicles that have been altered or upfitted with equipment or components supplied to Chevrolet or its dealers by independent suppliers. GM is not responsible for the safety or quality of design features, materials or workmanship of any alterations by third parties.

INDEX

2026 SILVERADO 5W4 SSV (SPECIAL SERVICE VEHICLE)

- STANDARD FEATURES
- OPTIONAL FEATURES
- COLORS & INTERIOR TRIM
- SPECIFICATIONS
- POWERTRAIN & EMISSIONS
- STANDARD FEATURE HIGHLIGHTS
- OPTIONAL FEATURE HIGHLIGHTS
- ELECTRICAL FEATURES and WIRING DIAGRAMS
- AIRBAG DIMENSIONS & FAQ
- OnStar® OPTIONS
- MAINTENANCE AND LIMITED WARRANTY

UPDATES FOR 2026

NEW OPTIONAL FEATURES

- Added OnStar Video Telematics with Hardware options (PQL), (PQM), (PQP), (PQQ), (PQT)
- Added SEO COLORS - Woodland Green, Wheeland Yellow and Tangier Orange



Shown with aftermarket equipment



Standard 120-volt, 400 watt, 3.33 amp, power outlet in bed



Standard 7" diagonal touchscreen radio

STANDARD UNIQUE 5W4 (SSV) FEATURES

REQUIRES 1500 Series Crew Cab WT Trim with Short or Standard Box and (PCV) CONVENIENCE PACKAGE.

- 5.3L V8 engine (L84) with 10-speed transmission and column shift (MI2)
- Automatic Stop/Start overridden (KL9) deleted
- High-capacity air filter (K47)
- 220-amp alternator (KW5)
- 120-volt, 3.33-amp, bed mounted power outlet (KC9)
- 120-volt 3.33-amp dash mounted power outlet (KI4)
- Cruise control (K34)
- Locking rear differential (G80)
- Trailering package (Z82)
- Power Mirrors (DLF)
- Remote Keyless Entry (AQQ) with Push to Start
- Protected Idle
- EZ Lift power lock and release tailgate (QT5)
- Calibration with keyless remote panic button exterior and lights/horn disable (5J1)
- Calibration and surveillance mode interior and exterior lighting (5J3)
- Head and taillamp flasher system, DRL Compatible (6J7)
- Calibration for taillamp flasher Red/White (5J9)
- Calibration for taillamp flasher Red/Red (5LO)

OPTIONAL UNIQUE 5W4 (SSV) FEATURES

- Skid Plates (NZZ)
- R30 TIRES, LT275/65R18C MT - Goodyear Wrangler Territory, Blackwall. Requires (Z71)Off-Road Package and (PZX) 18" Bright Silver painted aluminum wheels
- Off-road suspension (Z71)
- 2-speed transfer case (NQH)
- Multi-Flex Tailgate (OK2)
- Trailer mirrors (DPO)
- Daytime Running Lamps Delete (9G8)
- Tinted rear windows (AKO) included with (PCV) WT Convenience Package
- Rear window defogger (C49) included with (PCV) WT Convenience Package
- Common Fleet Key (6E2) or (6E8)
- 4 additional keyless remote transmitters with internal pre-cut keys (AMF)
- Horn and Siren circuit (6J4)
- Grille lamps and siren speaker wiring provisions (6J3)
- Spotlights (LED) driver and passenger side (7X2)
- Spotlight (LED) driver side only (7X3)
- Spotlights (Halogen) driver and passenger side (7X7)
- Spotlight (Halogen) driver side only (7X6)
- Inoperative rear windows (6N5)
- Inside rear door handles and locks disabled (6N6)
- Front row 20% center seat delete (5Y1)
- Auto Door Locks disabled (BCV)
- Ship thru Kerr Industries (GEZ)
- Front Driver 10-way Power Seat including lumbar (A2X)
- Universal Vehicle Module for CAN readability of selected signals. (KGU)

The Four Wheel Drive Crew-Cab Silverado Special Service Vehicle (5W4) Package is designed for special service work and is not intended for high-speed emergency vehicle operations. Police vehicles are restricted by GM and are not available for retail sale. Content and specifications may differ from the civilian retail model.

4WD SSV Package: The SSV Package (5W4) is only available on WT Trim. Requires 4WD Crew Cab Short Bed (CK10543) or Standard Bed (CK10743) models and the WT Convenience Package (PCV). SSV (5W4) includes: Trailing Package (Z82), 5.3 EcoTec3 V8 engine (L84), EZ Lift power lock and release tailgate (QT5), high capacity air filter (K47), 220-amp alternator (KW5), 120-volt power outlet (KI4), bed-mounted 120-volt power outlet (KC9), keyless remote panic button with exterior lights and horn disable (5J1), Surveillance mode interior and exterior lighting (5J3), headlamp and taillamp flasher system (6J7), red/white taillamp lamp flasher calibration (5J9) or red/red taillamp flasher calibration (5L0) and work truck steering wheel with repurposed cruise cancel button to operate Protected Idle. Not available with (9C1) Police Pursuit Package, (FHS) E85 FlexFuel capable or (0IU) Special Exterior Color. Deletes Automatic stop/start (KL9).

STANDARD INTERIOR FEATURES

AIR CONDITIONING	Single-zone with rear Heating/Cooling air vents.
ASSIST HANDLES	Front A-pillar mounted for driver and passenger and rear B-pillar.
AUDIO SYSTEM FEATURES¹	Chevrolet Infotainment 3 system, 7" diagonal HD color touchscreen, AM/FM stereo, 6 speakers. Bluetooth ² audio streaming for two active devices, voice command pass-through to phone, Wireless Apple CarPlay and wireless Android Auto capable. 6 speaker system.
KEYLESS REMOTE CALIBRATION	(5J1) Calibration to disable keyless remote panic button, exterior lights flashing and horn alarms.
COMPASS	Located in instrument cluster.
CONVENIENCE PACKAGE	WT or WT Fleet Convenience Package. See OPTIONAL WORK TRUCK CONVENIENCE PACKAGES
DOOR LOCKS	Power
DRIVER INFO. CENTER	3.5 inch diagonal monochromatic display, provides warning messages and basic vehicle information
FLOOR COVERING	Front and Rear rubberized-vinyl floor mats available and included with optional color-keyed carpeting (B30).
INSTRUMENTATION CLUSTER	6-gauge cluster featuring speedometer, fuel level, engine temperature, tachometer, voltage and oil pressure.
LTE WI-FI[®] HOTSPOT⁴	Can connect up to 7 devices; includes data trial for 1 month or 3GB (whichever comes first) Service varies with conditions and location. Available Wi-Fi requires compatible mobile device, active OnStar service and data plan. Data plans provided by AT&T. Visit www.OnStar.com/BusinessSolutions for details and system limitations.
MIRROR	Inside rearview manual tilt.
ONSTAR^{®5}	Includes (UE1) with OnStar Fleet Basics for Fleet. OnStar Basics includes remote commands, Navigation, Voice Assistance, and Automatic Crash Response, for eligible vehicles with compatible software. OnStar Basics is standard for 8 years. (R9L) Deletes OnStar Basics (OnStar Fleet Basics for Fleet for vehicles being shipped to Puerto Rico, the Virgin Islands, or Guam.
POWER OUTLET	Instrument panel mounted. 120 volt, 3.33 amp, 400 watts shared with (KC9) bed mounted power outlet.
PUSH BUTTON START	Keyless Open and Start with two remote keyless entry transmitters.
HD REAR VISION CAMERA³	When you're in Reverse, HD Rear Vision Camera shows you an image of the area directly behind your vehicle to help you park and avoid vehicles and object. You can also select an overlay of where your vehicle is going.
RESTRAINT SYSTEM⁶	Seat belts at all designated seating positions with driver and front outboard passenger pretensioners. Airbags: Dual-stage frontal airbags for driver and front outboard passenger; includes front outboard Passenger Sensing System. Seat-mounted side-impact airbags for driver and front outboard passenger; Head Curtain airbags for front and rear outboard seating positions. NOTE: Nine inch seat belt extenders are available (part number 19259268) through our dealers at no charge.
SEAT, FRONT	40/20/40 Split Bench with arm rest storage and Vinyl trim. Driver and front passenger seat adjuster are 4-way manual (for cloth trim and power seat availability see seat availability page).
SEAT, REAR	60/40 folding bench with vinyl trim, 3-passenger (includes child seat top tether anchor). Includes Rear seat Reminder.
SIRIUS XM DELETE	Can be upgraded to (U2K) SiriusXM.
SURVEILLANCE MODE	Calibration to disable interior & exterior automatic lighting. Feature is activated by adding wire connection to the BCM by customer/upfitter.
STEERING COLUMN	Tilt-Wheel, manual with wheel locking security feature.
TEEN DRIVER MODE³	Teen Driver helps encourage driving skills for teens by providing an in-vehicle report card. It also activates certain safety systems, if equipped, when a Teen Driver-designated key fob is used and mutes the radio until the front seat occupants fasten their seat belts.
TEMPERATURE DISPLAY	Exterior temperature display located in radio display.
THEFT DETERRENT SYSTEM	Vehicle Immobilizer (prevents vehicle start without correct key or remote). Content Theft System not available. See your Owner's Manual for system information.
TIRE PRESSURE MONITOR WITH FILL ALERT	Tire Pressure Monitoring System. The standard spare wheel includes an unprogrammed tire pressure monitor. Includes Tire Fill Alert in addition to the DIC warning when a tire has low pressure. This feature provides audible and visual indication when air is being added to the low tire to aid in achieving optimal tire pressure.
USB PORTS⁷	Two Charge/Data ports located on instrument panel. Dual Rear, charge-only.
WINDOWS	Power front, drivers express up/down. Front passenger express down. Rear power express down.

1. Functionality varies by model. Full functionality requires compatible Bluetooth and smartphone, and USB connectivity for some devices.

2. Go to [<https://my.CHEVROLET.com/learnAbout/bluetooth>] to find out which phones are compatible with the vehicle. Full Bluetooth feature functionality varies by device, model, and software version.

3. Safety or driver assistance features are no substitute for the driver's responsibility to operate the vehicle in a safe manner. The driver should remain attentive to traffic, surroundings, and road conditions at all times. Visibility, weather, and road conditions may affect feature performance. Read the vehicle's owner's manual for more important feature limitations and information.

4. Service varies with conditions and location. Requires active OnStar service and paid AT&T data plan. Visit onstar.com for details and limitations.

5. OnStar services capable (UE1). See onstar.com for details and limitations. Services vary by model. Service plan required. OnStar plan, working electrical system, cell reception and GPS signal required. OnStar links to emergency services. Service coverage varies with conditions and location. Service availability, features and functionality vary by device and software version.

6. Always use seat belts and child restraints. Children are safer when properly secured in a rear seat in the appropriate child restraint. See the Owner's Manual for more information.

7. Not compatible with all devices.

STANDARD EXTERIOR FEATURES

BUMPER FRONT	Black (semi-gloss).
BUMPER REAR	Black (semi-gloss) with corner step.
CARGO TIE DOWN	12 fixed, Rated at 500 pounds per corner.
CAPLESS FUEL FILL	Does not have a fuel cap. The filling nozzle must be fully inserted and latched prior to starting fuel flow. NOTE: Overfilling the fuel tank by more than three clicks of a standard fill nozzle may cause vehicle performance issue, including engine stalling and damage to the fuel system, fuel spills, potential fuel fires.
DAYTIME RUNNING LAMPS	Includes automatic exterior lamp control. Daytime running light delete option available.
DOOR HANDLES	Black.
FLASHERS	Headlamp and taillamp Flasher System (6J7) DRL compatible with control wire. Head and Taillamp circuit for customer furnished switch and wiring. Taillamp Flasher Calibration (5J9) flashes white (backup) and red (brake lamps) alternately when activated, alternatively Taillamp Flasher Calibration (5L0) flashes red (backup) and red (brake lamps) alternately when activated.
GLASS	Solar absorbing, tinted.
GRILLE	Black bars with mesh inserts
HEADLAMPS	Halogen reflector with halogen Daytime Running Lamps and Automatic exterior lamp control. Altering headlamp assembly is not Recommended. General Motors is not responsible for the effects of any modifications.
CARGO AREA LAMPS	Cab mounted LED integrated with center high mount stop lamp, with switch in bank on left side of steering wheel.
MIRRORS, OUTSIDE	Black, Manual.
POWER OUTLET	Bed mounted. 120-volt, 3.33 amp, 400 watts shared with (K14) instrument panel mounted power outlet.
PICKUP BED	Built from high-strength roll-formed steel for durability with 12 fixed corner tie downs and 120v outlet.
RECOVERY HOOKS¹	Front, frame-mounted.
TAILGATE	Gate function manual, no lift assist. Locking, utilizes same key as ignition and door. Includes Tailgate and bed rail protection cap.
TAILLAMPS	Incandescent tail, stop and reverse lights.
TIRES	255/70R17 all-season, blackwall.
TIRE, SPARE	255/70R17 all-season, blackwall.
TIRE, SPARE CARRIER	Keyed cylinder lock utilizes same key as ignition and door.
WHEELS	17" x 8" (43.2 cm x 20.3 cm) Ultra Silver painted steel.

STANDARD MECHANICAL FEATURES

AIR FILTER	High capacity air filter (K47) included with 5W4 Special Service Package.
ALTERNATOR	220 amp Charging System with Idle Boost increases alternator output at idle with increased electrical load. See Specifications page for Alternator Output Chart.
BATTERY	Heavy-duty 730 cold-cranking amps/80 Amp-hr, maintenance-free with rundown protection and retained accessory power
ENGINE	5 .3L EcoTec3 V8, (355 hp [265 kW] @ 5600 rpm, 383 lb-ft of torque [518 Nm] @ 4100 rpm)
FRAME	Fully-boxed, hydro-formed front section.
FUEL TANK	Approximately 24 gallons (91 liters)
HILL DESCENT CONTROL	Sets and maintains vehicle speed while driving down steep grades in forward or reverse.
OIL COOLING	External engine oil cooler and auxiliary transmission oil cooler
RADIO SUPPRESSION	The Silverado vehicle systems are designed to prevent unwanted emissions and to minimize susceptibility and maximize immunity to external emissions (Electromagnetic (EMI) or Radio Frequency (RFI) Interference). Most emergency vehicle communications equipment operating at frequencies in the VHF Band (30-300MHz) and up to frequencies (300 MHz-3GHz) will function as intended without enhanced noise suppression. in the UHF Band
REAR AXLE	3.23 ratio with standard automatic locking differential (G80)
SKID PLATES	Additional underbody shields provided standard with SSV.
STABILITRAK	Stability control system with Proactive Roll Avoidance and traction control includes electronic trailer sway control and hill start assist. For description see Stability Control and Traction Control section
STEERING	Electric Power Steering (EPS) assist, rack-and-pinion
SUSPENSION, FRONT	Independent, coil over shock, includes 35mm twin tube shock absorbers.
SUSPENSION, REAR	2-Stage multi-leaf springs, semi-elliptic
TRAILERING PACKAGE	Includes trailer hitch, 7-pin and 4-pin connectors and (CTT) Hitch Guidance
TRANSFER CASE	Two-speed, electronic Autotrac with push button control.
TRANSMISSION	10-speed automatic electronically controlled with steering column mounted shift lever and overdrive and tow/haul mode. Includes Cruise Grade Braking and Powertrain Grade Braking.

¹ Front recovery hooks are for vehicle recovery only. To avoid the risk of injury, never use recovery hooks to tow a vehicle. Never pull on recovery hooks from the side. The hooks could break and you and others could be injured. When using recovery hooks, always pull the vehicle from the front.

OPTIONAL INTERIOR FEATURES

UTQ	ALARM, HORN CONTENT THEFT DETERRENT, DISABLED - Calibration disables the horn for the theft deterrent alarm.
RIA	ALL WEATHER FLOOR LINER - 1st and 2nd rows (includes Chevrolet Bowtie logo, replaces factory floor mats). Requires (B30) color-keyed carpeting. Included with (PDQ) Liner Protection Package. Not available with (Z71) Off-Road Package.
C49	DEFOGGER, REAR WINDOW - Electric.
B30	FLOOR COVERING - Color-keyed carpeting. Includes front and rear vinyl floor mats.
BCV	LOCK CONTROL REAR DOOR, AUTO DOOR LOCKS DISABLE - Calibration disables auto door locks and is activated through radio or DIC settings.
6N5	REAR DOOR WINDOW SWITCHES INOPERATIVE - Calibration for rear windows to operate from drivers position only. Window lockout switch remains illuminated in all positions when equipped with this feature.
6N6	REAR DOOR LOCKS AND HANDLES INOPERATIVE - Rear power locks are inoperable at rear door but operate from drivers' position, rear doors can be opened only from outside the vehicle. Requires (GEZ) Kerr Industries Ship-thru to mechanically remove hardware linkage.
UD5	FRONT AND REAR PARK ASSIST¹ - Front and Rear Park Assist provides alerts of nearby detected vehicles and objects in front of or behind your vehicle to help you park and avoid collisions.
VBJ	REAR UNDERSEAT STORAGE - Composite storage bin (see optional equipment section for illustration)
AMF	REMOTE KEYLESS ENTRY PACKAGE - Includes 4 additional transmitters. Keys will be cut but not programmed. Programming of keys is at customer's expense. Programming keys is not a warranty claim.
5Y1	SEATS FRONT - Driver and passenger front individual seats derived from 40-20-40 split bench seat with the 20% section removed. Also removes the USB port and aux. power outlet when (AZ3) bench seat is ordered. Does not include a floor console.
R70	SEATS REAR - Cloth 60/40 folding bench with Storage Package. Includes seatback storage on left and right side. center fold out armrest with 2 cupholders. Includes child seat top tether anchor. Requires (B30) carpeted flooring and (HIT) or (HOU) Jet Black interior.
5T5	SEATS - Front cloth and second row vinyl.
A2X	SEAT ADJUSTER - Driver 10-way power seat including lumbar. Requires (K14) 120-volt power outlet and (HOU) Jet Black interior.
U2K	SIRIUSXM² - Platinum Plan Trial subscription.
6J4	WIRING - Horn and siren circuit. Requires Kerr Industries ship thru (GEZ).
6J3	WIRING - Provisions for grille lamps and siren speakers. Requires Kerr Industries ship thru (GEZ).
PQA	WT SAFETY PACKAGE - Includes (UD5) Front and Rear Park Assist ¹ , (UKC) Lane Change Alert with Side Blind Zone Alert ¹ , (UFB) Rear Cross Traffic Braking ¹ , (V46) Chrome front bumper, (VJH) Chrome rear bumper, (UKK) Rear Pedestrian Alert ¹ , (DP6) Black high gloss mirror caps, (U12) Perimeter Lighting. Requires (PCV) WT Convenience Package or (PEB) WT Value Package and (K14) 120-volt power outlet. Not available with (DPO) trailer mirrors, (ZW9) pickup bed delete or (9G8) Headlamps, daytime running lamps and automatic headlamp control delete.
KGU	UNIVERSAL VEHICLE MODULE - Includes module, customer interface harness and instructions. Provides vehicle data over an open CAN network (J1939). This gateway module offers 10-switchable inputs and outputs, and a Custom Configuration Tool to integrate upfit equipment controls. Software features that support Auto Vehicle Start, Shutdown Inhibit, Fast Idle and Snow Plow.
9L7	UPFITTER SWITCH KIT - Provides three (3) 30amp and two (2) 20amp circuits to facilitate installation of aftermarket electrical accessories. Kit with all required parts will be shipped loose with the truck for installation by the dealer or upfitter. Installation instructions and technical assistance available at www.gmupfitter.com .

OPTIONAL EXTERIOR FEATURES

VQO	ASSIST STEP - Black work step, Included with (PDW) Assist Step and Tonneau Value Package. Not available with any other assist steps.
VT2	ASSIST STEPS - Black 6" tubular rectangular wheel-to-wheel. Short-Bed only. Not available with any other assist steps.
RVS	ASSIST STEPS - Black 4" round. Not available with any other assist steps.
VZX	BEDLINER - Drop-in. Includes tailgate liner, (dealer-installed). Not available with (PCO) Bedside Utility Wall package.
CGN	BEDLINER, CHEVYTEC SPRAY-ON - Black (does not include spray-on liner on tailgate due to Black composite inner panel). Available with Ship Thru codes (VBE), (VCO), (VDJ), (VDT), (VYC), (VYS) (V11), (TW3), (A6T), (VKZ) or (WEZ).
PCO	BED UTILITY WALL PACKAGE - Includes (RVY) Bedside Utility Wall Package, (5WI) Utility Wall Latch Kit, LPO and (SJS) Front Bed Utility Wall Package. Dealer installed. Requires Crew Cab Short Box. Not available with (VZX) Bedliner.
V46	BUMPER FRONT - Chrome. Requires (VJH) Chrome rear bumper and (E63) Durabed, pickup bed. Included with (PQA) WT Safety Package.
VJH	BUMPER REAR - Chrome. Requires (V46) Chrome front bumper. Included with (PQA) WT Safety Package.
PDB	DARK ESSENTIALS PACKAGE - Includes (RIK) Black Silverado nameplates, (SFZ) Black bowtie and Black CHEVROLET lettering on tailgate. Not available with (ZW9) pickup bed delete. When (QK2) Multi-Flex tailgate is ordered (SB7) Black tailgate lettering is replaced with tailgate Black bowtie.
9G8	DAYTIME RUNNING LAMPS DELETE - Daytime Running Lamps and automatic headlamp control delete, deletes standard Daytime Running Lamps and automatic headlamp control features from the vehicle for police stealth surveillance. Not available with (PQA) WT Safety Package.
9M4	DECAL AND NAME PLATE DELETE - Deletes all nameplates and decals on the pickup box tailgate. Not available with SEO (8F2) ornamentation delete.
9R1	DECAL DELETE - Deletes the "4x4" decal from the side of the pickup box. Requires 4WD models only. Not available with (8F2) ornamentation delete.
AKO	GLASS - Deep tinted.

1. Safety or driver assistance features are no substitute for the driver's responsibility to operate the vehicle in a safe manner. The driver should remain attentive to traffic, surroundings, and road conditions at all times. Visibility, weather, and road conditions may affect feature performance. Read the vehicle's owner's manual for more important feature limitations and information.

2. The SiriusXM trial package is not provided on vehicles that are ordered for Fleet Daily Rental ("FDR") use. Trial subscription is subject to the SiriusXM Customer Agreement and privacy policy, visit www.siriusxm.com which includes full terms and how to cancel. All fees, content, features, and availability are subject to change

OPTIONAL EXTERIOR FEATURES CONTINUED

6E2	KEY SINGLE - All keys are coded alike. Not compatible with Tahoe or prior years Silverados equipped with SEO 6E2. Requires (SAF) spare tire lock, (UTQ) Alarm, Horn Content Theft Deterrent, Disabled and Government type order.
6E8	KEY SINGLE - Key code is an alternate to SEO 6E2. All keys are coded alike. Not compatible with Tahoe or prior years Silverados.
5H1	KEY ADDITIONAL - Two additional spare key fobs for a total of (4). Programming of key fobs is at customer's expense. Requires (SAF) spare tire lock. Not available with SEO (5Z4) spare wheel carrier and lock delete or (AMF) Remote keyless entry package.
DPO	TRAILERING MIRRORS - DOutside power-adjustable vertical trailering with heated upper glass, lower convex mirrors, integrated turn signals, clearance lamps and auxiliary lighting; manual folding/extending. Requires (PCV) WT Convenience Package or (PEB) WT Value Package and either (Z82) Trailering Package. Includes (DD8) auto-dimming inside rearview mirror.
AKO	POWER DISTRIBUTION BOX - Dealer Installed.
UF2	LED CARGO AREA LIGHTING - Located in pickup bed, activated with switch on center switch bank or key fob.
VK3	LICENSE PLATE KIT - Front (will be shipped to orders with ship-to states that require front license plate).
DP6	MIRROR CAPS, PAINTED - Body-color. High gloss Black Included and only available with (PQA) WT Safety Package.
DPO	MIRROR OUTSIDE POWER ADJUSTABLE - Adjustable vertical trailering with heated upper glass, lower convex mirrors, integrated turn signals, clearance lamps, and auxiliary lighting. Manual folding/extending. Includes (DD8) autodimming inside rearview mirror.
QK2	MULTI-FLEX TAILGATE - Six function gate (Primary, easy access, load stop, full width step, inner gate load stop, inner gate work surface).
Z71	OFF-ROAD PACKAGE - Off-Road Package, Includes (Z71) Off-Road suspension, (JHD) Hill Descent Control, (NZZ) Skid Plates, (K47) Heavy-Duty Air Cleaner and Z71 hard badge. Requires 4WD model, (Z82) Trailering Package and AT or MT tires. Includes (G80) Locking Differential and (NQH) 2-Speed Transfer Case.
NZZ	SKID PLATES - Includes large underbody aluminum skid plates.
8F2	ORNAMENTATION, DELETE - Deletes badges, decals and nameplates on exterior to allow for upfitters to paint or wrap the vehicle. Retains Chevy bowties.
SFW	REAR BACKUP ALARM CALIBRATION - This calibration will allow installation of an aftermarket back-up alarm by disabling rear perimeter lighting.
8S3	REAR BACKUP ALARM 97 DECIBELS - Not available with SEO (SFW) backup alarm.
NZZ	SKID PLATES - Includes large underbody aluminum skid plates.
VQK	SPLASH GUARDS, MOLDED - Black (see optional equipment section for illustration).
7X2	SPOTLAMPS - Left and right-hand pillar mounted, LED. Requires (GEZ) Kerr Industries ship thru.
7X3	SPOTLAMP - Left-hand pillar mounted, LED. Requires (GEZ) Kerr Industries ship thru.
7X6	SPOTLAMP - Left-hand pillar mounted, Halogen. Requires (GEZ) Kerr Industries ship thru.
7X7	SPOTLAMPS - Left and right-hand pillar mounted, Halogen. Requires (GEZ) Kerr Industries ship thru.
TGH	TAILGATE ASSIST HANDLE - Tailgate mounted fold-out grab handle for extra support. Not available wit (ZW9) pickup bed delete. Requires (CGN) Chevytec Spray-on Bedliner.
QDV	TIRE - 265/70R17 all-terrain, blackwall.
RC5	TIRE - LT265/70R17C all-terrain, blackwall.
R30	TIRES - LT275/65R18C MT - Goodyear Wrangler Territory, Blackwall. Requires (Z71) Off-Road Package and (PZX) 18" Bright Silver painted aluminum wheels.
VPB	TONNEAU COVER, PREMIUM SOFT - Roll-up. Not available with any other tonneau cover.
5JY	TONNEAU COVER, SOFT - Tonneau cover by Advantage. Not available with any other tonneau cover.
VOZ	TONNEAU COVER, HARD - Folding tonneau cover by REV. Not available with any other tonneau cover.
SFE	WHEEL LOCKS - Set of 4.
5Z4	WHEEL, SPARE - Carrier and lock delete. Deletes the base spare wheel, carrier and lock. Does not delete jack or tools. Requires SEO (9L3) spare tire delete. Not available with (RC3). Tires, 265/70R17 all-terrain, blackwall.
Q5U	WHEELS - 17" x 8" (43.2 cm x 20.3 cm), Bright Silver painted aluminum.
RPP	WHEELS - 17" x 8" (43.2 cm x 20.3 cm), Black painted steel, Steel wheels will have a low gloss Black paint finish and center caps will be painted with high gloss Black.

OPTIONAL MECHANICAL FEATURES

K05	ENGINE BLOCK HEATER - Capable of running on unleaded or up to 85% ethanol. Requires a fleet or Government Sales order, 4WD Crew Cab, (L84) 5.3L
-----	--

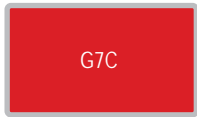
OPTIONAL WORK TRUCK CONVENIENCE PACKAGES

PCV	WT CONVENIENCE PACKAGE - Includes (AKO) tinted windows, (C49) rear window defogger, (K34) cruise control and (DLF) mirrors upgrade-able to (DPO) trailer mirrors and includes (DD8) auto dimming rear-view mirror.
PEB	WT VALUE PACKAGE - Includes (PCV) WT Convenience Package and (Z82) Trailering Package.
PDQ	LINER PROTECTION PACKAGE - Includes (S41) Wheelhouse liners, and (RIA) floor liner (dealer-installed. Requires (B30) color-keyed carpeting. Not available with (BGD) rubberized-vinyl flooring or (Z71) Z71 Off-Road Package.
PDV	CHROME PACKAGE - Includes (VQY) Chrome recovery hooks and V(VQZ) Polished exhaust tip. Not available with (Z71) Z71 Off-Road Package or (L3B) TurboMax engine. 4WD models require (PQA) WT Safety Package.

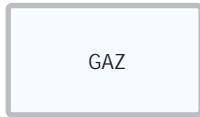
OPTIONAL SHIP THRU

TVY	SHIP THRU - Produced and shipped to Anchorage VDC then to TK Services and returned to Anchorage VDC for shipping to final destination. Available only to orders with a final Ship-To Code for State of Alaska Dealers only.
A4I	SHIP THRU - Produced in Ft. Wayne Assembly and shipped to Brand FX Body Company and returned to Ft. Wayne Assembly for shipping to final destination. Not available with (5Y1) Driver and passenger front individual seats or (CGN) Chevytec spray-on bedliner.
ANO	SHIP THRU - Produced in Ft. Wayne Assembly and shipped to Canfield Equipment in Warren, MI. Returned to Lansing Delta Assembly for shipping to final destination. Not available with (5Y1) Driver and passenger front individual seats or (CGN) Chevytec spray-on bedliner.
B17	SHIP THRU - Produced in Ft. Wayne Assembly and shipped to Adrian Steel in Wentzville Assembly for shipping to final destination. Not available with (5Y1) Driver and passenger front individual seats or (CGN) Chevytec spray-on bedliner.
CJD	SHIP THRU - Produced in Ft. Wayne Assembly and shipped to Reading Truck Equipment, Pontiac MI. Returned to Flint Assembly for shipping to final destination. Not available with (5Y1) Driver and passenger front individual seats or (CGN) Chevytec spray-on bedliner.
TBR	SHIP THRU - Produced in Ft. Wayne Assembly and shipped to ECO Vehicle Systems, Union City, Indiana. Returned to Ft. Wayne Assembly for shipping to final destination. Not available with (5Y1) Driver and passenger front individual seats or (CGN) Chevytec spray-on bedliner.
TCM	SHIP THRU - Produced in Ft. Wayne Assembly and shipped to Monroe Truck Equipment, Flint, MI. Returned to Flint Assembly for shipping to final destination. Not available with (5Y1) Driver and passenger front individual seats or (CGN) Chevytec spray-on bedliner.
TRE	SHIP THRU - Produced in Ft. Wayne Assembly and shipped to Ft. Wayne Fleet Equipment in Roanoke, IN. Returned to Ft. Wayne Assembly for shipping to final destination. Not available with (5Y1) Driver and passenger front individual seats or (CGN) Chevytec spray-on bedliner.
VCM	SHIP THRU - Produced in Ft. Wayne Assembly and shipped to NBC Truck Equipment, Flint, MI. Returned to Flint Assembly for shipping to final destination. Not available with (5Y1) Driver and passenger front individual seats or (CGN) Chevytec spray-on bedliner.
VDE	SHIP THRU - Produced in Ft. Wayne Assembly and shipped to Knapheide Truck Equipment, Flint, MI. Returned to Flint Assembly for shipping to final destination. Not available with (5Y1) Driver and passenger front individual seats or (CGN) Chevytec spray-on bedliner.
VWM	SHIP THRU - Produced in Ft. Wayne Assembly and shipped to Masterack. Returned to Wentzville Assembly for shipping to final destination. Not available with (5Y1) Driver and passenger front individual seats or (CGN) Chevytec spray-on bedliner.
V1I	SHIP THRU - Produced in Silao, Mexico and shipped to Auto Truck Ft. Worth, TX. Returned to Arlington Assembly for shipping to final destination.
TW3	SHIP THRU - Produced in Silao, Mexico and shipped to Brand FX, Ft. Worth, TX. Returned to Arlington Assembly for shipping to final destination.
VJD	SHIP THRU - Produced in Silao, Mexico and shipped to Arlington Assembly for shipping to final destination.
A6T	SHIP THRU - Produced in Silao, Mexico and shipped to General Truck Body, Arlington, TX. Returned to Arlington Assembly for shipping to final destination.
VKZ	SHIP THRU - Produced in Silao, Mexico and shipped to Kerr Industries Grand Prairie TX. Returned to Arlington Assembly for shipping to final destination.
GEZ	SHIP THRU - Produced in Silao, Mexico and shipped to Kerr Industries Arlington, TX. Returned to Arlington Assembly for shipping to final destination. Included and only available with SEO options; (6N6/7X2/7X3/7X6/7X7/6J3/6J4).
WEZ	SHIP THRU - Produced in Silao, Mexico and shipped to Knapheide Red Oak, TX. Returned to Arlington Assembly for shipping to final destination.
VUE	SHIP THRU - Produced in Silao, Mexico and shipped to Adrian Steel, Toledo, OH. Returned to Flint Assembly for shipping to final destination.
VCO	SHIP THRU - For Orders with (CGN) Spray-on Bedliner, Produced in Ft. Wayne Assembly and shipped to Knapheide Truck Equipment, Flint, MI. Returned to Flint Assembly for shipping to final destination. Not available with (5Y1) Driver and passenger front individual seats. Requires (CGN) Chevytec spray-on bedliner and C*10753 or C*10*43 models. Not available with any other Ship Thru Code.
VDT	SHIP THRU - For Orders with (CGN) Spray-on Bedliner, Produced in Ft. Wayne Assembly and shipped to Auto Truck Group, Roanoke, IN. Returned to Flint Assembly for shipping to final destination. Not available with (5Y1) Driver and passenger front individual seats. Requires (CGN) Chevytec spray-on bedliner and C*10753 or C*10*43 models. Not available with any other Ship Thru Code.
VYC	SHIP THRU - For Orders with (CGN) Spray-on Bedliner, Produced in Ft. Wayne Assembly and shipped to Monroe Truck Equipment, Flint, MI. Returned to Flint Assembly for shipping to final destination. Not available with (5Y1) Driver and passenger front individual seats. Requires (CGN) Chevytec spray-on bedliner and C*10753 or C*10*43 models. Not available with any other Ship Thru Code.
VYS	SHIP THRU - For Orders with (CGN) Spray-on Bedliner, Produced in Ft. Wayne Assembly and shipped to Reading Truck Equipment, Pontiac, MI. Returned to Flint Assembly for shipping to final destination. Not available with (5Y1) Driver and passenger front individual seats. Requires (CGN) Chevytec spray-on bedliner and C*10753 or C*10*43 models. Not available with any other Ship Thru Code.
VDU	SHIP THRU - Produced in Ft. Wayne Assembly and shipped to Meyer Truck Equipment in Indianapolis, IN. Returned to Ft. Wayne Assembly for shipping to final destination. Not available with (5Y1) Driver and passenger front individual seats or (CGN) Chevytec spray-on bedliner.
VUH	SHIP THRU - For Orders with (CGN) Spray-on Bedliner, Produced in Silao, Mexico and shipped to Adrian Steel, Toledo, OH. Returned to Flint Assembly for shipping to final destination. Requires (CGN) Chevytec spray-on bedliner.
TFA	SHIP THRU - Produced in Arlington Assembly and shipped to Defender Supply, Argyle, TX. Returned to Arlington Assembly for shipping to final destination. Requires C*10543 model.

AVAILABLE EXTERIOR COLORS ACTUAL COLORS MAY VARY



Red Hot
WA-130X



Summit White
WA-8624



Sterling Gray Metallic
WA-130H



Black
WA-8555

SEO PAINT No Longer Available to Order as of 2/2/26



Doeskin Tan
WA-9403



Dark Toreador Red
WA-334D



Unripened Green Metallic
WA-136X



Indigo Blue
WA-9792



Yellow
WA-5248



Yellow
WA-5445



Yellow
WA-5456



Yellow
WA-9414



Orange
WA-770H



Blue
WA-454N



Lt. Autumnwood Metallic
WA-228A



Pewter
WA-382E



Blue
WA-5405



Blue
WA-7154



Orange
WA-9419



Arrival Blue Metallic
WA-815K



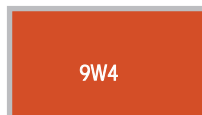
Green
WA-7927



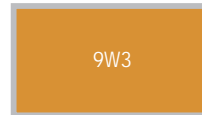
Silver Ice Metallic
(5IS) WA-363R

NOTE:

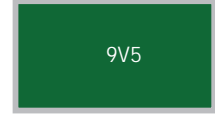
- Actual color may vary
- GM will require 5 orders before sending to the plant. May require extended lead time.



Tangier Orange
WA-9417



Wheatland Yellow
WA-253A

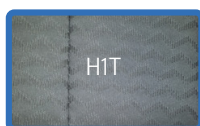


Woodland Green
WA-9015

AVAILABLE INTERIOR COLOR ACTUAL COLORS MAY VARY



Jet Black

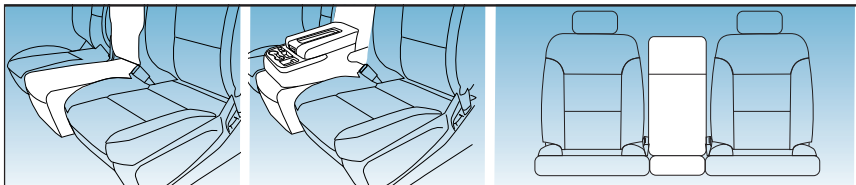


Jet Black

FRONT SEATS AND INTERIOR TRIM

STANDARD FRONT ROW SEATING

STANDARD (AZ3) - 40/20/40 SPLIT-BENCH IN VINYL TRIM 3-passenger, driver and front passenger manual recline with outboard head restraints, fold-down armrest with storage and fixed lumbar. Driver and front seat passenger seat adjuster are 4-way manual. Cloth trim and (A2X) 10-way power driver seat including lumbar is available.



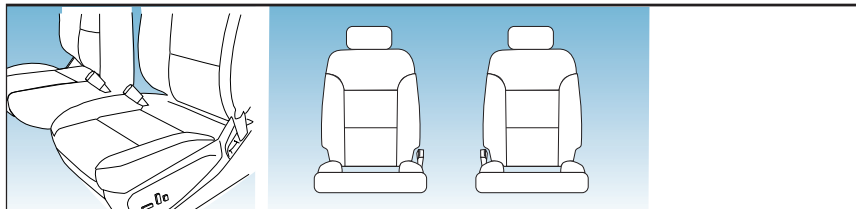
Seat Code	Seat Trim	Color	Color Code
AZ3	Vinyl	Jet Black	H2G

A2X Driver 10-way power seat including lumbar.

5Y1

OPTIONAL FRONT ROW SEATING

20% FRONT CENTER SEAT DELETE WITH CLOTH 40/40 INDIVIDUAL SEATS (AZ3 & OPTION 5Y1) Deletes the center section of the front bench seat. Also removes the USB port and auxilliary power outlet when (AZ3) bench seat is ordered. Does not include a floor console. All exposed floor area will remain untrimmed. Requires (BG9) rubberized vinyl flooring.



Seat Code	Seat Trim	Color	Color Code
AZ3+5Y1	Cloth	Jet Black	HOU

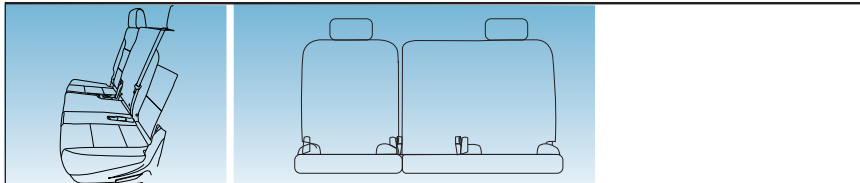
- Front cloth and vinyl rear seat combination is available by ordering option 5T5 and requires Jet Black (HOU)
- Requires (BG9) Black rubberized vinyl floor covering

REAR SEATS AND INTERIOR TRIM

STANDARD SECOND ROW SEATING

STANDARD - A68 VINYL REAR SEAT 60/40 split-folding seat. 3 passenger

60/40 folding bench folds up. Includes child seat top tether anchor.



Seat Code	Seat Trim	Color	Color	Code
A68	Vinyl	Jet Black	H2G	H2G

OPTIONAL SECOND ROW SEATING

OPTIONAL - R70 CLOTH REAR SEAT 60/40 split-folding seat. 3 passenger 60/40 folding bench folds up. Includes seatback storage on left and right side, center fold out armrest with 2 cupholders. Includes child seat top tether anchor.

Seat Code	Seat Trim	Color	Color	Code
R70	Cloth	Jet Black	H2G	H2G

• Requires (B30) carpeted flooring and (H1T) or (HOU) Jet Black Interior

SPECIFICATIONS

SPECIFICATIONS	CK10543 4WD Short Bed Crew Cab	CK10743 4WD Standard Bed Crew Cab
Front stabilizer bar diameter, in. (mm)	1.30 (33)	1.30 (33)
Turning diameter, curb-to-curb, ft. (m)	46.9 (14.2)	50.2 (15.3)

EPA-ESTIMATED MPG FUEL ECONOMY RATING

With QBN, QDV or RC5 tires (City/Highway/Combined)	TBD	TBD
4WD with R30 tires (City/Highway/Combined)	TBD	TBD

Note: EPA-ESTIMATED ratings are official, not estimate based on GM testing.

CAPACITIES

Front axle ¹ , lbs. (kg)	3800 (1724)	3800 (1724)
Front spring capacity ¹ , lbs. (kg)	3800 (1724)	3800 (1724)
Rear axle ¹ , lbs. (kg)	3800 (1724)	3800 (1724)
Rear spring capacity ¹ , lbs. (kg)	3850 (1746)	3850 (1746)
Base Curb weight ¹ , [w/ L84], lbs. (kg)	5070 (2300)	5130 (2327)
Maximum Trailer Weight ² , lbs. (kg)	9300 (4218)	9200 (4173)
Cargo volume ³ , cargo box, cu. ft. (liters)	62.9 (1781.3)	71.7 (2030.5)
Base Payload ⁴ , [w/ L84], lbs. (kg)	1990 (903)	1940 (880)
Gross Vehicle Weight Rating ⁵ (GVWR) Base, lbs. (kg)	7000 (3175)	7000 (3175)
Front Gross Axle Weight Rating ³ (GAWR), lbs. (kg)	3800 (1724)	3800 (1724)
Rear Gross Axle Weight Rating ³ (GAWR), lbs. (kg)	3800 (1724)	3800 (1724)
Gross Combination Weight Rating ⁶ (GCWR) Base, lbs. (kg)	15000 (6804)	15000 (6804)
Fuel capacity, approximate, U.S., for Gas engine, gallon (liters)	24 (91)	24 (91)

SEATING CAPACITY

Crew Cab	6	6
----------	---	---

PASSENGER COMPARTMENT VOLUME (cu.ft./liters)

Passenger Volume ⁷ 129.8/3636
--

FRONT COMPARTMENT (in./mm)

Head room 43.03/1093
Shoulder room 66.02/1677
Hip room 61.18/1554
Leg room 44.53/1131

REAR COMPARTMENT (in./mm) CK10543

Head room	40.12/1019
Shoulder room	65.16/1655
Hip room	60.24/1530
Leg room	43.4/1102

EXTERIOR (in./mm)

Wheelbase (Short Bed)	147/3745
Wheelbase (Standard Bed)	157/3987
Overall length (Short Bed)	231.88/5890
Overall length (Standard Bed)	241.41/6132
Body width (without mirrors)	81.24/2063
Overall height* (4WD Short Bed)	75.51/1918
Overall height* (4WD Standard Bed)	75.4/1915
Front bumper to back of cab	150.9/3833
Inside length of box at floor (Short Bed)	69.9/1776
Inside length of box at floor (Standard Bed)	79.4/2017
Inside height, bed	22.4/569
Inside bed width	71.4/1814
Inside width, between Wheel housing	
Turning diameter, ft./m	46.9/14.3
Ground Clearance* (4WD Short Bed)	8.08/205
Ground Clearance* (4WD Standard Bed)	7.95/202
Fording depth*	22/559

*Published dimensions indicated are at Base Curb Weight.

1. Mass values are calculated assuming nominal equipment. Actual values may vary due to equipment loading.

2. Maximum trailering ratings are intended for comparison purposes only. Before you buy a vehicle or use it for trailering, carefully review the trailering section of the Owner's Manual. The trailering capacity of your specific vehicle may vary. The weight of passengers, cargo and options or accessories may reduce the amount you can trailer.

3. Cargo and load capacity limited by weight and distribution.

4. Payload capacity includes weight of driver, passengers, optional equipment and cargo. Must not exceed vehicle and box cargo capacity. Cargo and load capacity limited by weight and distribution.

5. When properly equipped; includes weight of vehicle, passengers, cargo and equipment.

6. When properly equipped; includes weight of the vehicle and trailer combination, including the weight of driver, passengers, fuel, optional equipment and cargo in the vehicle and trailer.

7. Cargo and load capacity limited by weight and distribution.

SPECIFICATIONS

ENGINE STANDARD

Type	EcoTec3 V8
Displacement: liters/cu. in.	5.3/325
Horsepower/rpm	355 @ 5600
Torque lb.-ft./rpm	383 @ 4100
Induction system	Direct Injection
Compression ratio	11.0:1
Exhaust	Single
Minimum recommended fuel octane	87
Fuel capacity, approximate, gallon/liters	24/91
Oil with filter (quarts/liters)	8.5/8
Cooling capacity (quarts/liters)	17.4/16.5

TRANSMISSION

Automatic electronic with overdrive and grade braking	10-Speed
---	----------

AXLE

Ratio	3.23
-------	------

BRAKES

eBoost ABS	Disc/Disc
Front-swept area (sq. in./sq. cm)	288.5/1861.2
Rear-swept area (sq. in./sq. cm)	263.7/1701.6
Front rotor diameter (in./mm)	13.5/343
Rear rotor diameter (in./mm)	13.58/345
Front rotor thickness (in./mm)	1.26/32
Rear rotor thickness (in./mm)	0.79/20
Projected Stopping Distance ¹ from 60mph (ft./m)	144.90/44.17

STANDARD TIRES

Type	All-Season Blackwall
Size	255/70R17

STANDARD WHEELS

Type	Ultra Silver Painted Steel
Size	17"x8"

CHASSIS

Frame	Full perimeter steel
Front suspension	Coil over shock with 35mm twin tube shocks
Rear suspension	2-stage multi-leaf springs, semi-elliptic
Steering type	Electric Rack and Pinion
Steering ratio	NA

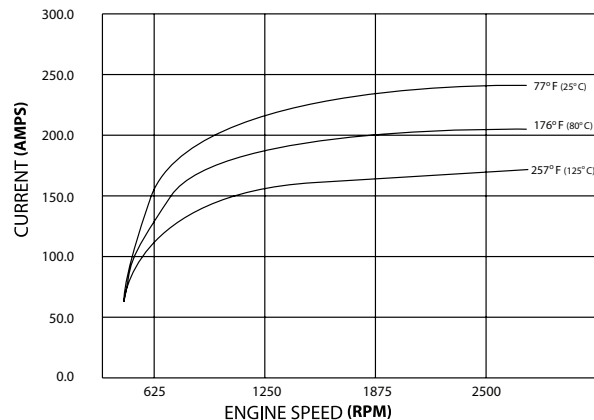
BATTERY

Type	Maintenance free
BCI group size	LN3
Volts	12
Amp hour rating	70
Cold cranking-amps @ 0°F (-18°C)	730

ALTERNATOR

Type	MELCO GX9
Amps @ 77°F (25°C)	220

SILVERADO SSV ALTERNATOR OUTPUT



BOOST LEVEL	PARK/NEUTRAL	DRIVE
Normal Idle	550	550
1	800	650
2	800	725
3	1000	800

1. Based on 2025MY Michigan State Police Vehicle Test Results. All vehicles tested with clean roof and no additional equipment or added ballast. Adding non dealer accessories or making modifications to the vehicle can affect vehicle performance, aerodynamics, overall top speed and acceleration.

POWERTRAIN

ENGINE				TRANSMISSION		AXLE	
OPTION CODE	TYPE	DISPLACEMENT	FUEL SYSTEM	OPTION CODE	TYPE	OPTION CODE	RATIO
L84	V8	5.3/325	DI, Active Fuel Management	MI2	10-Speed auto w/OD and grade braking	GU6	3.23

EMISSIONS - MUST BE SPECIFIED

FE9 Emissions - Federal requirements.

YF5 Emissions - California state requirements.

NE1 Emissions - Colorado, Connecticut, Delaware, Maine, Maryland, Massachusetts, Nevada, New Jersey, New Mexico, New York, Oregon, Pennsylvania, Rhode Island, Vermont and Washington state requirements.

NB8 Emissions override - California. Allows a dealer in states that require California emissions - California, Colorado, Maryland, Massachusetts, New Jersey, New York, Oregon, Pennsylvania, Rhode Island or Washington to order Federal emissions for a vehicle that will be registered in a state that has Federal emission requirements). Do not use for vehicles that will be registered in California, Connecticut, Delaware, Maryland, Massachusetts, New Jersey, New Mexico New York, Oregon, Rhode Island, Vermont or Washington Requires (FE9) Federal emissions requirements. Not available in Maine or Vermont.

NB9 Emissions override - State-specific (for dealers ordering vehicles in (YF5) or (NE1) emission states - California, Colorado, Connecticut, Delaware, Maine, Maryland, Massachusetts, Minnesota, Nevada, New Jersey, New Mexico New York, Oregon, Pennsylvania, Rhode Island, Vermont and Washington). Allows a California dealer (YF5 emissions) to order (NE1) emissions with (NB9) emissions override code for registration in (NE1) states; or, a Colorado, Connecticut, Delaware, Maine, Maryland, Massachusetts, Minnesota, Nevada, New Jersey, New Mexico, New York, Oregon, Pennsylvania, Rhode Island, Vermont and Washington dealer (NE1 emissions) to order (YF5) emissions with (NB9) emissions override code for registration in California.

NC7 Emissions override - Federal (for vehicles ordered by dealers in Federal emission states with (YF5) or (NE1) emissions - Not required for vehicles being shipped to California, Colorado, Connecticut, Delaware, Maine, Maryland, Massachusetts, Minnesota, Nevada, New Jersey, New Mexico, New York, Oregon, Pennsylvania, Rhode Island, Vermont or Washington) Requires (YF5) California state emissions requirements or (NE1) Colorado, Connecticut, Delaware, Maine, Maryland, Massachusetts, Minnesota, Nevada, New Jersey, New Mexico, New York, Oregon, Pennsylvania, Rhode Island, Vermont or Washington state emission requirements.

NOTE: The 2026 Chevrolet Tahoe Police Patrol Vehicle and Special Service Vehicle with the 5.3L Engine (L84) with Emission Option Codes:

FE9 NAME CERTIFICATION EMISSION, FEDERAL

NE1 NAME CERTIFICATION EMISSION, GEOGRAPHICALLY RESTRICTED

YF5 NAME CERTIFICATION EMISSION, CALIFORNIA is certified to EPA Tier 3 BIN 70 standards and qualifies as ULEV 70 (Ultra Low Emission Vehicle) under California Air Resources Board (CARB) requirements, meaning it is 50-state certified.

EPA engine family or test group: MGMXT05.3388

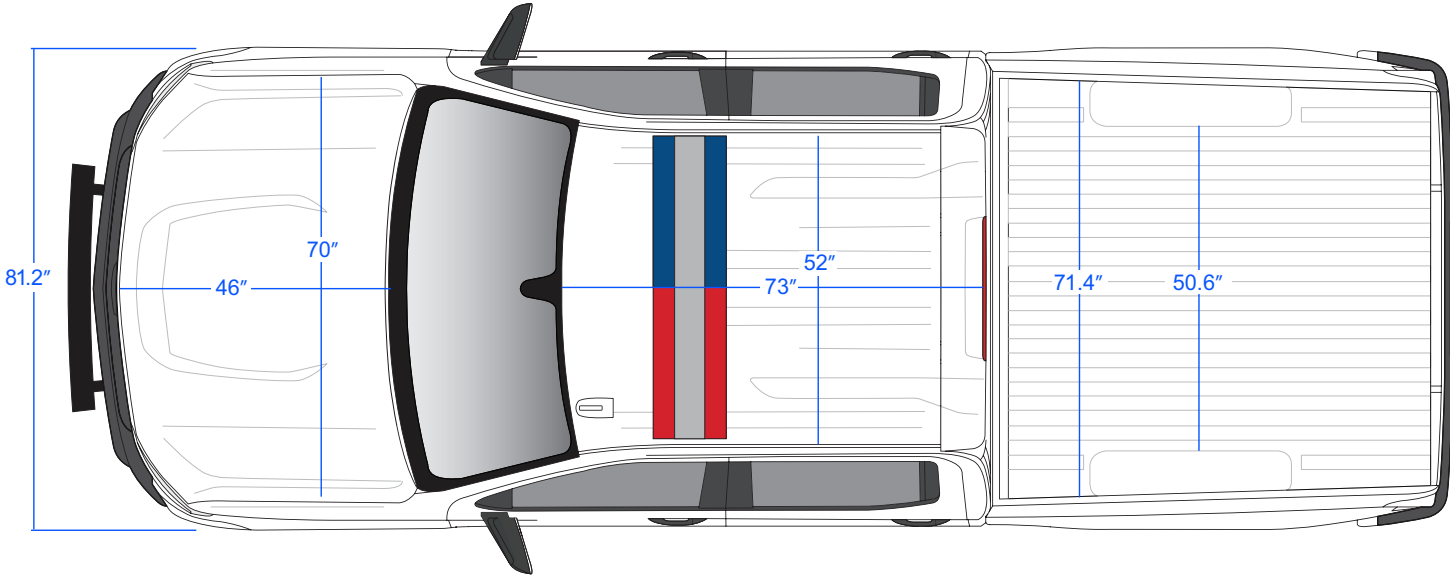
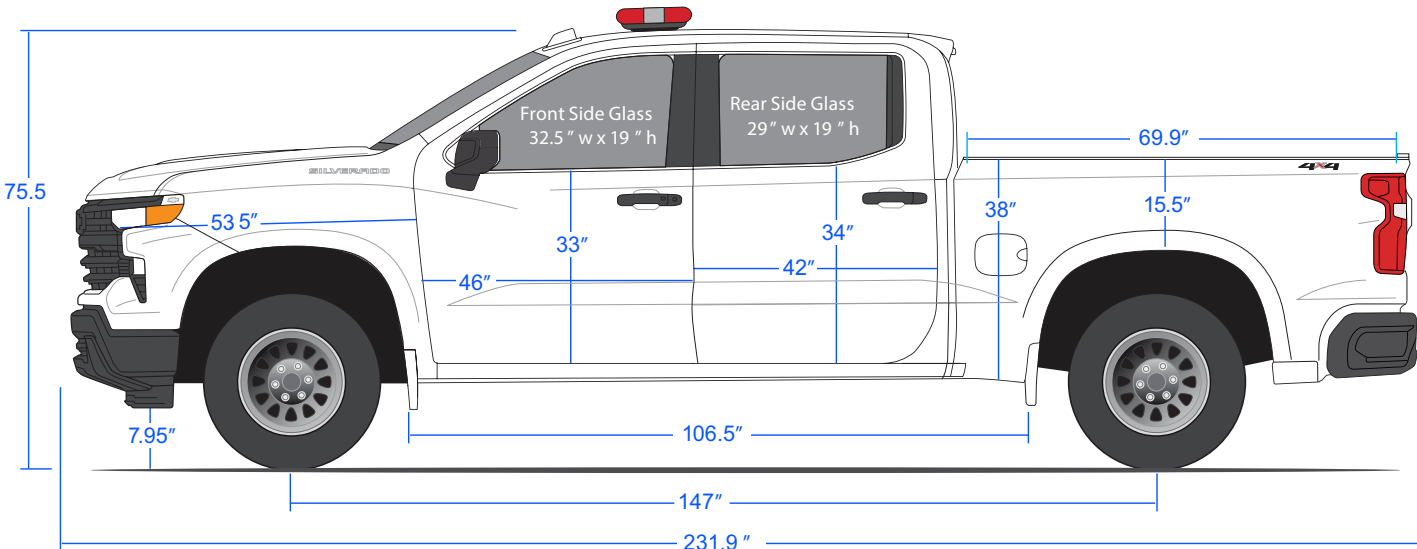
PROJECTED TOP SPEED WITH STANDARD AND OPTIONAL TIRES

Note: Adding accessories or making modifications to the vehicle can affect vehicle performance, aerodynamics, and overall top speed.

TIRE CODE	TIRE SIZE	MODEL SSV CREW CAB	TOP SPEED	TOP SPEED IN REVERSE
R30	LT275/65R18C (OPTIONAL)	4WD SHORT BED	98 MPH / 158 KPH	37 MPH / 60 KPH
R30	LT275/65R18C (OPTIONAL)	4WD STANDARD BED	98 MPH / 158 KPH	37 MPH / 60 KPH
QBN	255/70R17 (STANDARD)	4WD SHORT BED	106 MPH / 170 KPH	37 MPH / 60 KPH
QBN	255/70R17 (STANDARD)	4WD STANDARD BED	106 MPH / 170 KPH	37 MPH / 60 KPH
QDV	265/70R17 (OPTIONAL)	4WD SHORT BED	106 MPH / 170 KPH	37 MPH / 60 KPH
QDV	265/70R17 (OPTIONAL)	4WD STANDARD BED	106 MPH / 170 KPH	37 MPH / 60 KPH
RC5	265/70R17C (OPTIONAL)	4WD SHORT BED	98 MPH / 158 KPH	37 MPH / 60 KPH
RC5	265/70R17C (OPTIONAL)	4WD STANDARD BED	98 MPH / 158 KPH	37 MPH / 60 KPH

DIMENSIONS

SSV SHORT BED WITH STANDARD SUSPENSION



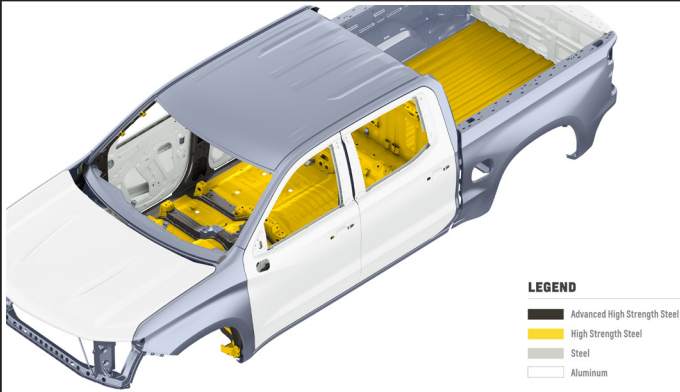
Estimated material sizes to wrap:

- Hood – 72" x 50"
- Front Doors – 50" x 36"
- Rear Doors – 45" x 37"
- Roof – 75" x 54"
- Tailgate – 69" x 26"



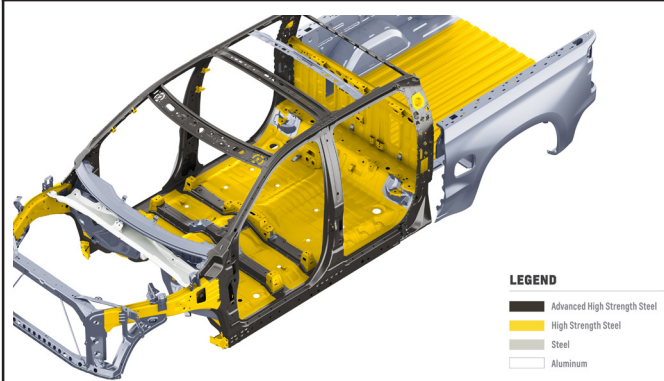
BODY, CAGE, UNDERBODY AND FRAME MATERIALS

BODY



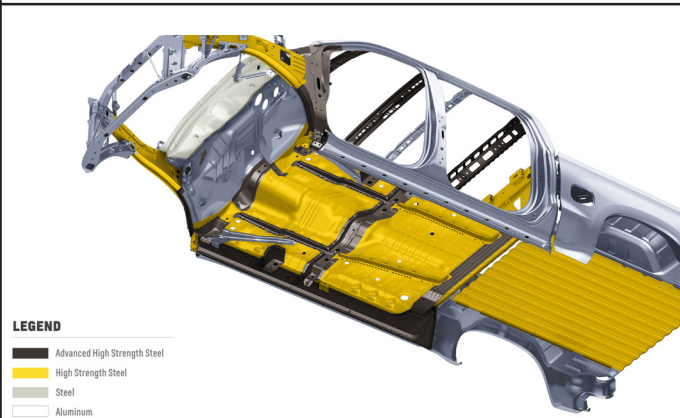
Featuring fixed steel body components and aluminum swing panels (doors, hood, tailgate).

CAGE



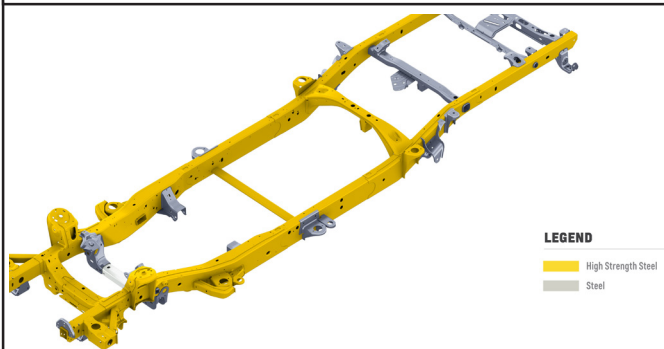
The underlying safety cage features significant use of advanced high strength steels, each tailored for the specific application.

UNDERBODY



Features significant use of advanced high strength steels, each tailored for the specific application.

FRAME



Eighty percent of the frame is made of high-strength steel varying from 2 to 5 millimeters in thickness, and every millimeter is optimized for performance using a variety of processes, including hydroforming, roll-forming, conventional stamping and tailor-rolled blanking.

STANDARD FEATURES

SURVEILLANCE MODE INTERIOR & EXTERIOR LIGHTING (5J3)

Surveillance Feature: The Body Control Module (BCM) is calibrated to provide disabling of the exterior and interior automatic lighting. The BCM is located under the instrument panel to the left side of the steering column.

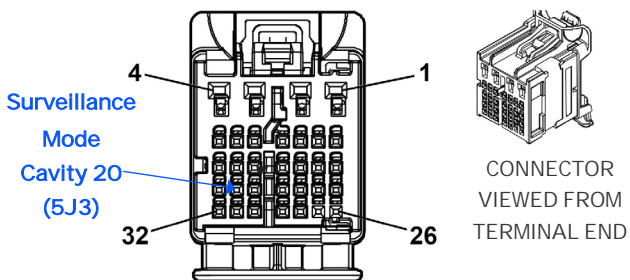
The Surveillance Feature can be activated by installing a terminated wire in cavity 20 of the BCM connector X3.

When a customer provided terminated wire, e.g., GM T/L 19370262, is installed in X3-20 and the wire is connected to vehicle ground via a customer switch, automatically controlled lighting is disabled or dimmed to Federally regulated level. BCM connector X3 is shown below.

Interior courtesy lamps, including dome lamps, can be turned OFF with a three-position switch located in the front overhead console. The interior lamp control positions are: OFF – DOOR – ON

When the switch is in the OFF position, all interior lighting remains off whenever the doors are opened.

NOTE: Wiring connection or splice changes are to be removed before the vehicle is returned to civilian use.



MANUAL LAMP CONTROL

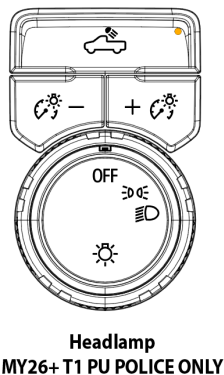
The headlamp control on the driver's side of the instrument panel operates the exterior lamps.

If your vehicle does not have option (9G8) DELETE DAYTIME RUNNING LAMPS and AUTOMATIC HEADLAMPS, the Daytime Running Lamps and Automatic Headlamps can be turned OFF for one ignition cycle by rotating the headlamp control knob momentarily counter-clockwise. See Owner's Manual.

Interior courtesy lamps, including dome lamps, can be turned OFF with a three-position switch located in the front overhead console.

The interior lamp control positions are:
OFF – DOOR – ON

When the switch is in the OFF position, all interior lighting remains off whenever the doors are opened.



PROTECTED IDLE

The Protected Idle Feature allows the vehicle to remain idling but will not allow the transmission to be shifted from Park without a valid key fob.

ACTIVATING PROTECTED IDLE

- Preconditions (All preconditions must be met.)
- Vehicle is in PROPULSION (engine running) state
- Vehicle is in Parked State
- Vehicle speed is less than 4 kilometers per hour
- Valid key fob is present.

Activation

Press and Hold the Cruise Cancel Switch for 2 seconds

Vehicle Feedback

Upon activation of Protected Idle, the Digital Information Center (DIC)

will display the following:

- "Protected Idle ON"
- "Park in Open Area"
- "Take Your Key"

If any of the above preconditions are not met while activating Protected Idle, DIC will display the message: "Protected Idle Unavailable"

DEACTIVATING PROTECTED IDLE

- Valid key fob is present
 - Press brake pedal and shift out of Park OR
 - Press and hold the Cruise Cancel Switch for 2 seconds OR
 - Press the Ignition Switch with the Brake Pedal pressed.
- DIC messages will turn off, indicating Protected Idle is no longer activated.

CONDITIONS UNDER WHICH THE PROTECTED IDLE WILL TURN OFF AND VEHICLE WILL TRANSITION TO OFF POWER MODE

- Brake pedal pressed without a valid key fob present OR
- Cruise Cancel Switch depressed without a valid key fob present OR
- Ignition Switch pressed without a valid key fob present OR
- With a valid key fob present, ignition switch is pressed and brake pedal is not pressed (the system treats this action as a customer request to turn OFF the vehicle.) OR
- Engine stalls. Horn chirps occur. OR
- Low fuel condition. Horn chirps occur.

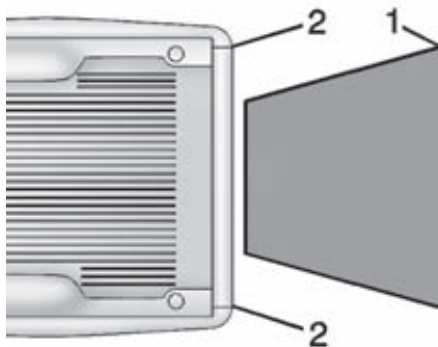
CONDITIONS UNDER WHICH THE PROTECTED IDLE WILL TURN OFF AND VEHICLE WILL TRANSITION TO RUN POWER MODE.

If the Shift Lock mechanism is defeated and shifted Out of Park while the Protected Idle is active, the vehicle will transition to the RUN power mode (the engine will be turned off) and Protected Idle will be deactivated and Horn chirps occur. DIC messages will turn off indicating Protected Idle is inactive.

ALWAYS PROPERLY SUPERVISE A VEHICLE WHEN PEOPLE OR ANIMALS ARE INSIDE WHEN THE ENGINE IS IDLING.

STANDARD FEATURES

HD REAR VISION CAMERA



1. View Displayed by the Camera in infotainment Screen
2. Corners of the Rear Bumper

Displayed images may be farther or closer than they appear. The area displayed is limited and objects that are close to either corner of the bumper or under the bumper do not display. You can also select to display an overlay of where your vehicle is going.

When the vehicle is in R (Reverse), at low speeds the RVC displays an image of the area behind the vehicle in the center stack display. The previous screen displays when the vehicle is shifted out of R (Reverse) after a short delay. To return to the previous screen sooner, press a button on the infotainment system, shift into P (Park), or reach a vehicle speed of 8 km/h (5 mph).

NOTE: The HD Rear Vision Camera will not work properly if the tailgate is down. If the tailgate is down, do not use this system.

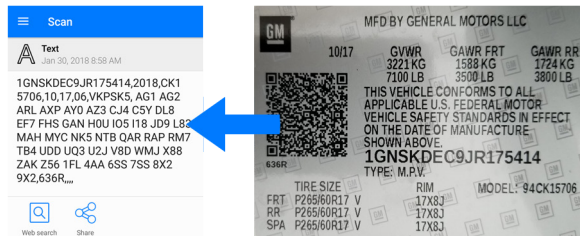
Safety or driver assistance features are no substitute for the driver's responsibility to operate the vehicle in a safe manner. The driver should remain attentive to traffic, surroundings and road conditions at all times. Visibility, weather, and road conditions may affect feature performance. Read the vehicle's owner's manual for more important feature limitations and information.

TIRE PRESSURE MONITOR WITH TIRE FILL ALERT

The Chevy Silverado 9C1 is equipped with a Tire Pressure Monitor System (TPMS) that warns of low tire pressure. The Chevy Silverado 9C1 includes a full size spare (QAQ) with an **unprogrammed** tire pressure sensor. When the spare tire is placed in use as a road wheel, the TPMS will not read the presence of the new sensor until it is calibrated. Refer to your owner's manual for additional information about calibration of the TPMS. Includes Tire Fill Alert feature.



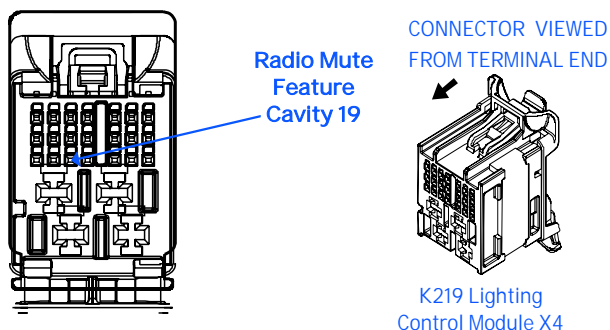
SERVICE PARTS IDENTIFICATION LABEL



A Service Parts Identification (SPID) Label provides Vehicle Identification Number (VIN) - specific Option Code content list, Engineering Model Number (Nameplate, body style), Exterior paint system, Exterior paint color code and Interior trim level and color.

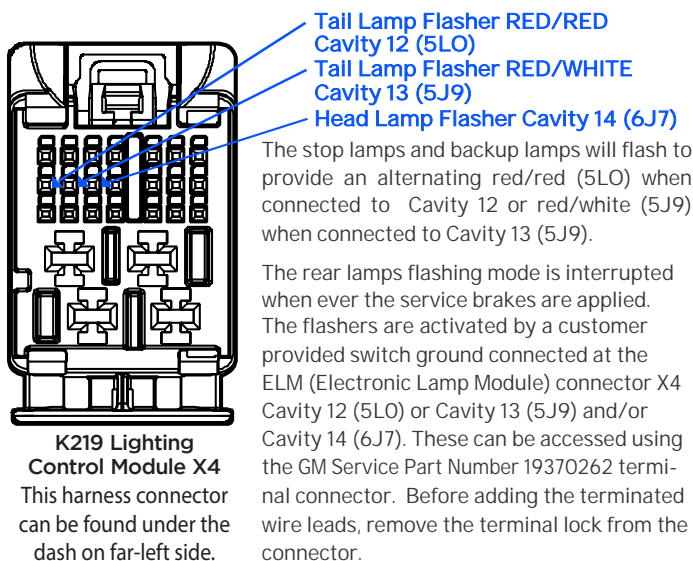
STANDARD FEATURES

RADIO MUTE FEATURE¹



The Radio Mute feature function is provided to permit muting of the vehicle radio when an emergency vehicle 2-way radio is transmitting. It can be accessed by using crimped wire GM Service Part Number 19370262 terminal connector inserted into the ELM connector X4 pin 19. When that inserted wire is grounded the radio mute feature is activated.

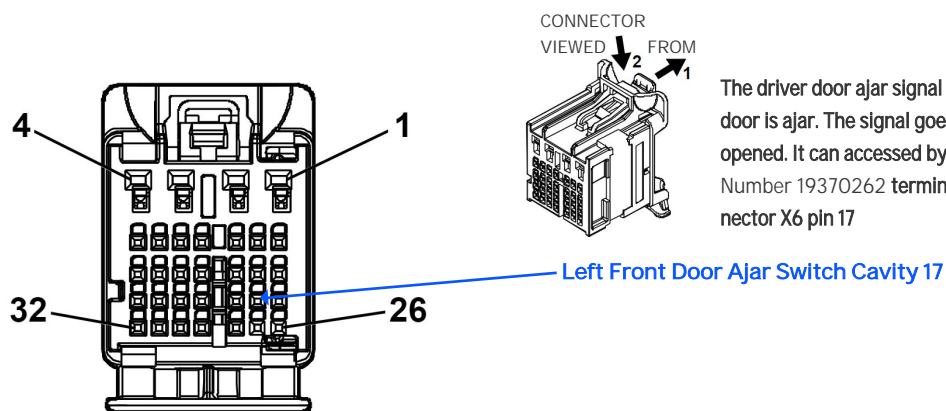
FRONT AND REAR FLASHERS¹



The stop lamps and backup lamps will flash to provide an alternating red/red (5LO) when connected to Cavity 12 or red/white (5J9) when connected to Cavity 13 (5J9).

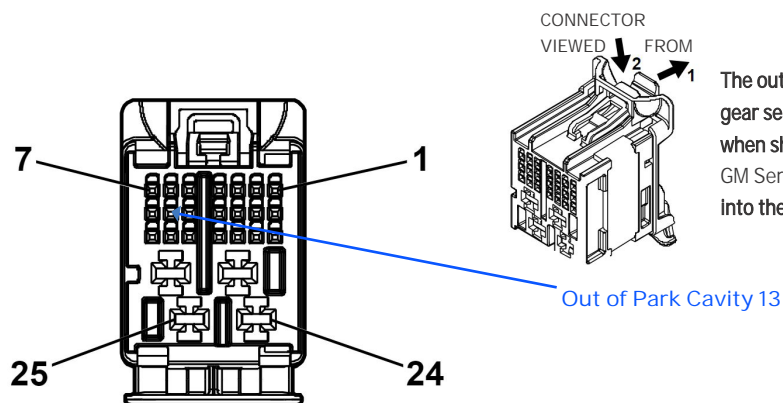
The rear lamps flashing mode is interrupted when ever the service brakes are applied. The flashers are activated by a customer provided switch ground connected at the ELM (Electronic Lamp Module) connector X4 Cavity 12 (5LO) or Cavity 13 (5J9) and/or Cavity 14 (6J7). These can be accessed using the GM Service Part Number 19370262 terminal connector. Before adding the terminated wire leads, remove the terminal lock from the connector.

DRIVER DOOR AJAR¹



The driver door ajar signal can be used to determine when the driver door is ajar. The signal goes high (+12 volts) when the driver's door is opened. It can accessed by using the crimped wire GM Service Part Number 19370262 terminal connector. Inserted into the BCM connector X6 pin 17

OUT OF PARK FEATURE¹



The out of park signal can be used to determine when the transmission gear selector is in park. The signal goes high (+12 volts) when the when shifted out of park. It can accessed by using the crimped wire GM Service Part Number 19370262 terminal connector. Inserted into the BCM connector X1 pin 13

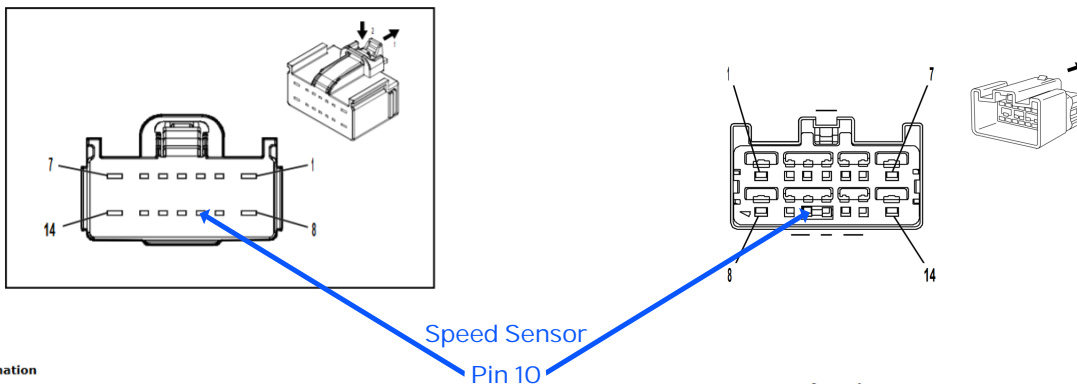
1. The following customer device electrical specifications must be met to avoid damage to the vehicle Exterior Lighting Module (ELM) input circuitry. No inductance allowed - Maximum Load Capacitance 600 nano-farads. Maximum Closed switch contact resistance 20 ohms. Minimum Open switch contact resistance 100,000 ohms. Wiring connection or splice changes are to be removed before the vehicle is returned to civilian use.

STANDARD FEATURES

SPEED SENSOR

The vehicle speed signal is Auxiliary Fuse Block Wiring harness (X213A 14-way connector) Terminal Pin 10.

The connector is on the IP inboard of the ELM and BCM. Service Terminal III GM Service Part Number 12578907.



Connector Part Information

Harness Type: Auxiliary Fuse Block Wiring Harness
 OEM Connector: 33366376
 Service Connector: Service by Harness - See Part Catalog
 Description: 14-Way F 1.5, 2.8 YESC Series(GY)

Connector Part Information

Harness Type: Instrument Panel Wiring Harness
 OEM Connector: 7282-6447-40
 Service Connector: 88956523
 Description: 14-Way M 1.5, 2.8 YESC Series(L-GY)

X213A Auxiliary Fuse Block Wiring Harness to Instrument Panel Wiring Harness (9L7)

Pin	Size	Color	Circuit	Terminal Type ID	Option	Function	Pin	Size	Color	Circuit	Terminal Type ID	Option
1	0.75	BK / WH	851	II	—	Signal Ground	1	2.5	WH	22	IV	—
2	—	—	—	—	—	Horn Relay Control	2	0.35	BN / WH	28	III	5W4/ 9C1
3	0.35	YE	6817	I	—	LED Backlight Dimming Control 1	3	0.35	YE	6817	III	—
4	—	—	—	—	—	Not Occupied	4	—	—	—	—	—
5	0.5	WH / BU	3691	I	—	Trailer Brake Apply Signal	5	0.35	WH / BU	3691	III	—
6	—	—	—	—	—	Not Occupied	6	—	—	—	—	—
7	2.5	RD / BN	4142	II	—	Primary Fused Battery Positive Voltage	7	2.5	RD / BN	4142	IV	—
8	2.5	VT / BU	10735	II	—	Upfitter Accessory S Supply Voltage	8	2.5	VT / BU	10735	IV	—
9	—	—	—	—	—	Out of Park Signal	9	0.35	YE	6812	III	—
10	—	—	—	—	—	Vehicle Speed Signal	10	0.35	GN / GY	817	III	—
11	0.35	WH	6816	I	—	Indicator Dimming Control	11	0.35	WH	6816	III	—
12	—	—	—	—	—	Not Occupied	12	—	—	—	—	—
13	0.5	VT / BK	339	I	—	Run/Crank Ignition 1 Voltage	13	0.5	VT / BK	339	III	—
14	2	BU	47	II	—	Trailer Auxiliary Control	14	2	BU	47	IV	—

1. The following customer device electrical specifications must be met to avoid damage to the vehicle Exterior Lighting Module (ELM) input circuitry. No inductance allowed - Maximum Load Capacitance 600 nano-farads. Maximum Closed switch contact resistance 20 ohms. Minimum Open switch contact resistance 100,000 ohms. Wiring connection or splice changes are to be removed before the vehicle is returned to civilian use.

OPTIONAL FEATURES

KGU

UNIVERSAL VEHICLE MODULE (UVM)

Provides CAN Readability of selected messages utilizing SAE J1939 formatting. This gateway module offers 10-switchable inputs and outputs, and includes a GUI (Graphical User Interface) SW available to customize the UVM to specific customer needs. Provides access to key vehicle information (CAN Serial Data) and buffer between our Cybersecure vehicle architecture and the "dirty work" side.

10 input/outputs configurable through GUI. Allows extensive customization of output activation criteria. Outputs are high side drive by default. Configurations can be read/write and stored for multiple vehicles. Various operating parameters available to read only. Downloadable software to configure the UVM from GM Upfitter.com

For instructional videos refer to <https://www.gmupfitter.com/Instructional-videos/>

4 Preprogrammed Commanded Features (Specified Input Voltage Range)

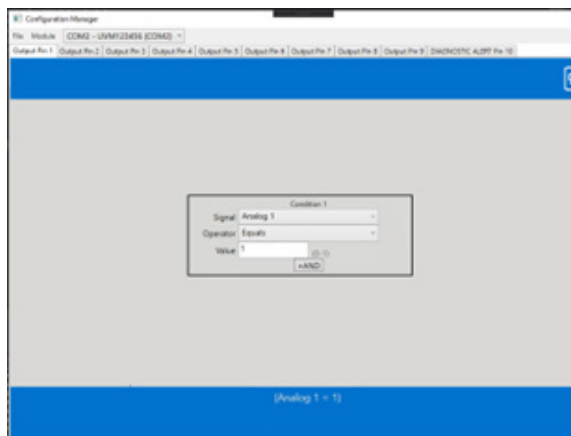
- Automatic Vehicle Start
 - Input request commands underhood electrical center start up for up to 8 hours or Low power condition
- Shut Down Inhibit
 - Input request prevents underhood electrical center shutdown
- Increased Engine Idle
 - Input request commands engine idle to fixed RPM value
- Snow-Plow Support
 - Input request commands deactivation of conflicting active safety features
 - Input request headlamps to full dim status

UVM Application Examples:

- Police upfits that require underhood electrical center momentary start up feature to control the HVAC climate system for K9 vehicles.
- Large Fleet customers that use telematics equipment (Geotab) to monitor mileage and idle CAN bus messages for vehicle maintenance/service.

UVM youtube instructional videos:

- Introduction to the UVM
<https://www.youtube.com/watch?v=c1p1q44QlfU>
- UVM Preset Features - Set-Up and Use
<https://www.youtube.com/watch?v=dGJM8IK7EA4>
- UVM Configuration Tool
<https://www.youtube.com/watch?v=fTDnJdlY1uk>



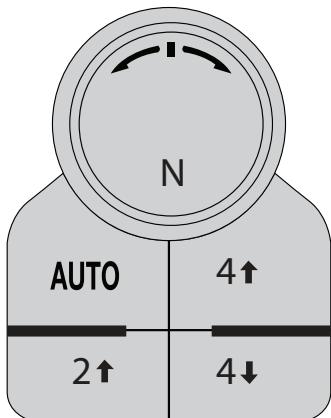
9G8

DELETE DAYTIME RUNNING LAMP & AUTOMATIC HEADLAMP CONTROL

Option SEO 9G8 – This option disables the Daytime Running Lamps and Automatic Headlamps control feature. Exterior lamps are only manually controlled (Option 9G8 is not available in Canada). When the headlamp switch is in OFF with 9G8 installed, the instrument cluster, radio display and air conditioning illumination will adjust with the main light sensor (located in the center of the IP by the windshield. If it is light enough out, the displays will be at daytime intensity. If dark enough, displays will be at night and are dimmable. If SEO 9G8 is not installed, the displays are dimmable with the Headlamp switch in the AUTO position and it is dark enough the light sensor is in night mode. The instrument cluster, radio and AC displays will dim to the minimum setting if the Surveillance Feature (5J3) is activated also.

OPTIONAL FEATURES

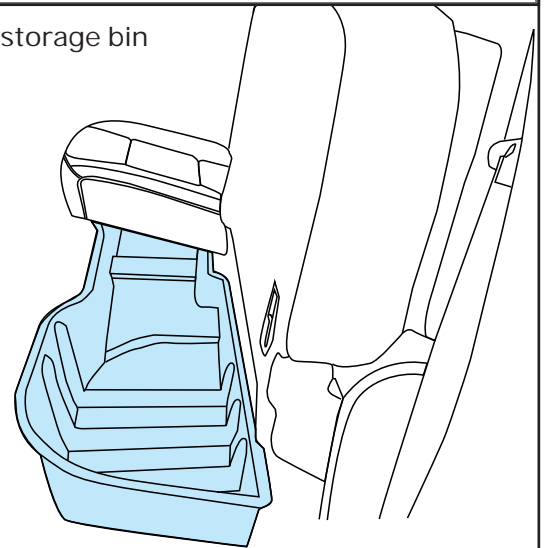
NQH AUTOMATIC TRANSFER CASE



Active, 2-speed electronic Autotrac with rotary controls, includes neutral position for dingy towing. Use the transfer case knob next to the steering wheel to shift into and out of four-wheel drive.

VBJ REAR UNDERSEAT STORAGE

Composite storage bin



GM Part Number
19417361

REAR UNDER SEAT COMBINATION LOCK BOX



3,700 cubic inches of storage, 16-gauge steel construction, 3-digit combination with custom hook-cam. Marine-grade carpet lining with weather and dust seal. Pin-lock hinge design, no drilling required for installation.

OPTIONAL FEATURES

AMF

PACKAGE OF FOUR UNPROGRAMMED KEYS/FOBS

An unlimited number of KEYS/FOBS can be learned for Keyless start and Keyless open, only the last 8 KEYS/FOBS learned will have the key fob buttons work for that vehicle. The programming procedure for SEO AMF KEYS/FOBS requires that one previously learned key fob be present in the vehicle.

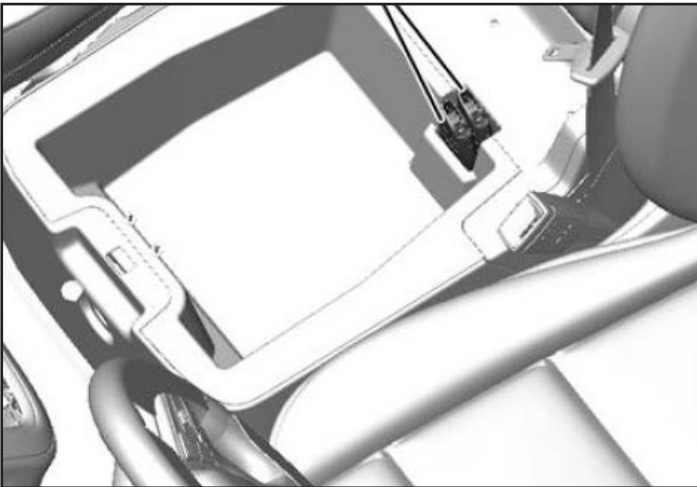
One learned key fob is required for this procedure.

NOTE: If a previously learned key fob is not available, the programming of the new KEYS/FOBS must be performed by a dealer using the Service Programming System (SPS). Key fob programming is not a warranty item and programming is conducted by the customer or at a dealer at customer expense.

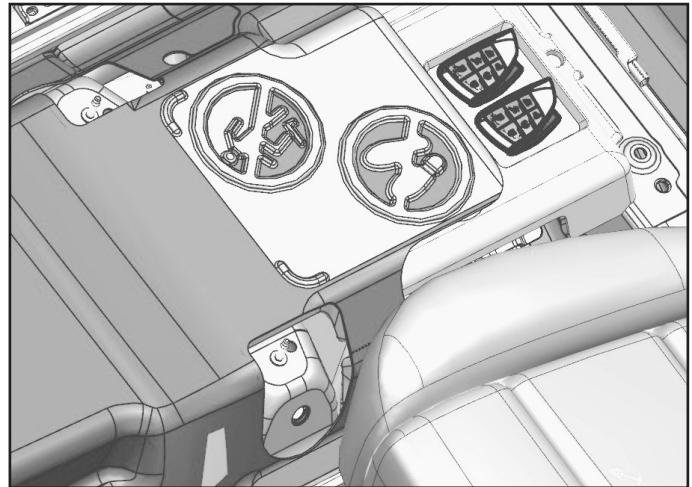
PROGRAMMING PROCEDURE:

1. Using the learned key fob, turn the Ignition ON. The transmission selector must be in PARK.
2. Using the SELECT and other buttons on the right side of the steering wheel, open the Driver Information Center (DIC) Main Menu. Scroll down to Main Menu item OPTIONS with the lower steering wheel button and then SELECT. Scroll to REMOTE KEY RELEARN and Select START. The DIC will display LEARNING ACTIVE.
3. For vehicles equipped with AZ3 front row seating place the FOBs in the pocket inside the center seat console. For vehicle equipped with 5Y1 front row center 20% seat/console delete place the FOBs on top of the the SDM cover.
4. Press the start button to learn the key fob. The DIC will display "ready for Key #" where # is the next key fob to be learned.
5. Verify that key fob is learned by operating the door locks remotely.
6. Repeat Step 3 through 5 to learn the next key fob.
7. To exit key fob learning mode, press and hold the start button for approximately 15 seconds.

With AZ3 Center Seat Console



With 5Y1 No Center Seat



6E2

FLEET KEY & REMOTE FOB

6E8

The fleet key fob feature allows the user to program a fob to be recognized by a particular vehicle for full remote functionality (Lock/Unlock and Remote Start if equipped). Use of this remote on other fleet keyed-a-like vehicles will be limited to unlocking the driver's door by pressing the exterior door handle button and starting the vehicle once inside. The remote lock/unlock and remote start (if equipped) buttons will not function unless the operator uses the Driver Information Center (DIC) to program the newly introduced fob. Note that a vehicle is only capable of recognizing the last 8 key fobs programmed for full remote capability. Adding a 9th remote fob will bump fob #1 remote functionality until it is reprogrammed through the DIC, adding remote #1 back into the DIC will bump fob #2 remote button functionality, etc. There are no limitations to the amount of fleet keys that will be recognized to access and start the vehicle. Programming a newly introduced fleet fob through the DIC is required to use the Protected Idle feature. Requires AMF.

OPTIONAL FEATURES

OK2

MULTI-FLEX TAILGATE



Six function gate (Primary, easy access, load stop, full width step, inner gate load stop, inner gate work surface)



OPTIONAL FEATURES



ACCESSORIES

BED STORAGE SYSTEM

PART NO:19421491



Short Bed Truck Bed Storage System By Decked - Associated Accessories

- Features smooth-rolling, secure drawers with customizable storage options that still allow use of the cargo area
- High-density polyethylene construction with treated steel subframe, aluminum and stainless steel hardware
- Custom fit requires no drilling or modification of the truck bed
- Durable weather-resistant design keeps cargo safe and secure from the elements
- 2,000-lb. top deck payload capacity preserves the full footprint of your cargo area
- 200-lb. payload capacity per drawer

Includes;

- 1 Desert Tan D-Box,
- 1 Desert Tan Crossbox,
- 2 Wide Drawer Dividers,
- 1 DRAWERGANIZER™
- Mounting hardware

OPTIONAL FEATURES

VZX

DROP-IN BEDLINER



Dealer Installed Drop-In Bedliner, (VZX)

Includes tailgate liner, (dealer-installed). Not available with (PCO) Bedside Utility Wall package.

PCO

UTILITY WALL PACKAGE

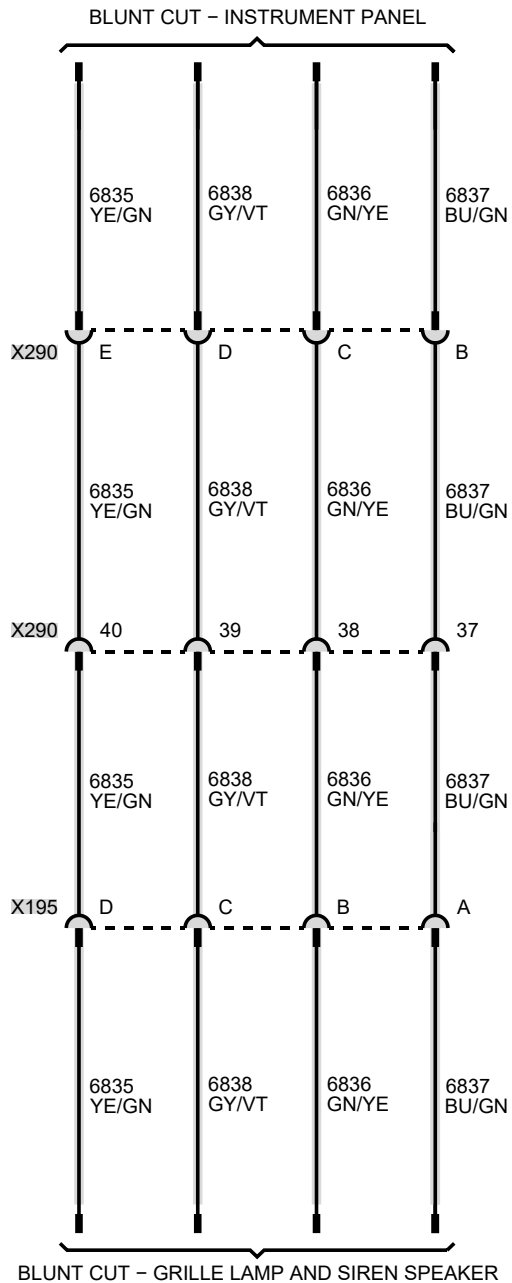


Dealer Installed Utility Wall Package (PCO)

Includes;
 (RVY) Bedside Utility Wall Package
 (5WI) Utility Wall Latch Kit
 (SJS) Front Bed Utility Wall Package.

WIRING DIAGRAMS

6J3 GRILLE LAMPS AND SIREN SPEAKER WIRING PROVISIONS




WIRING DIAGRAMS

6J4 HORN AND SIREN CONTROL PROVISIONS

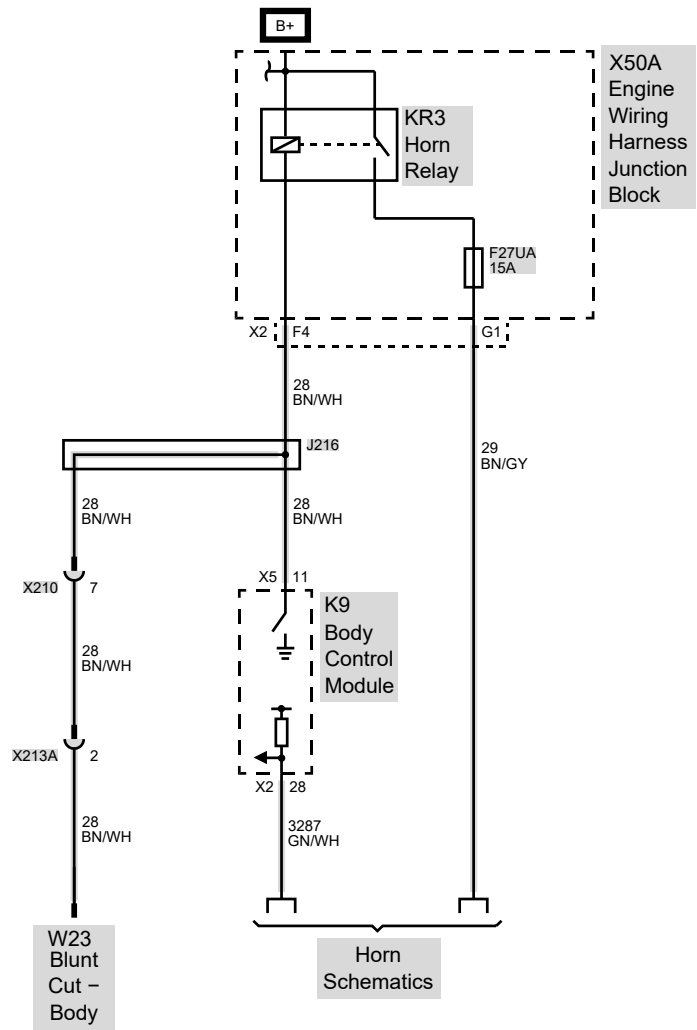
6J4

GRILLE LAMPS AND SIREN SPEAKER WIRING LOCATION



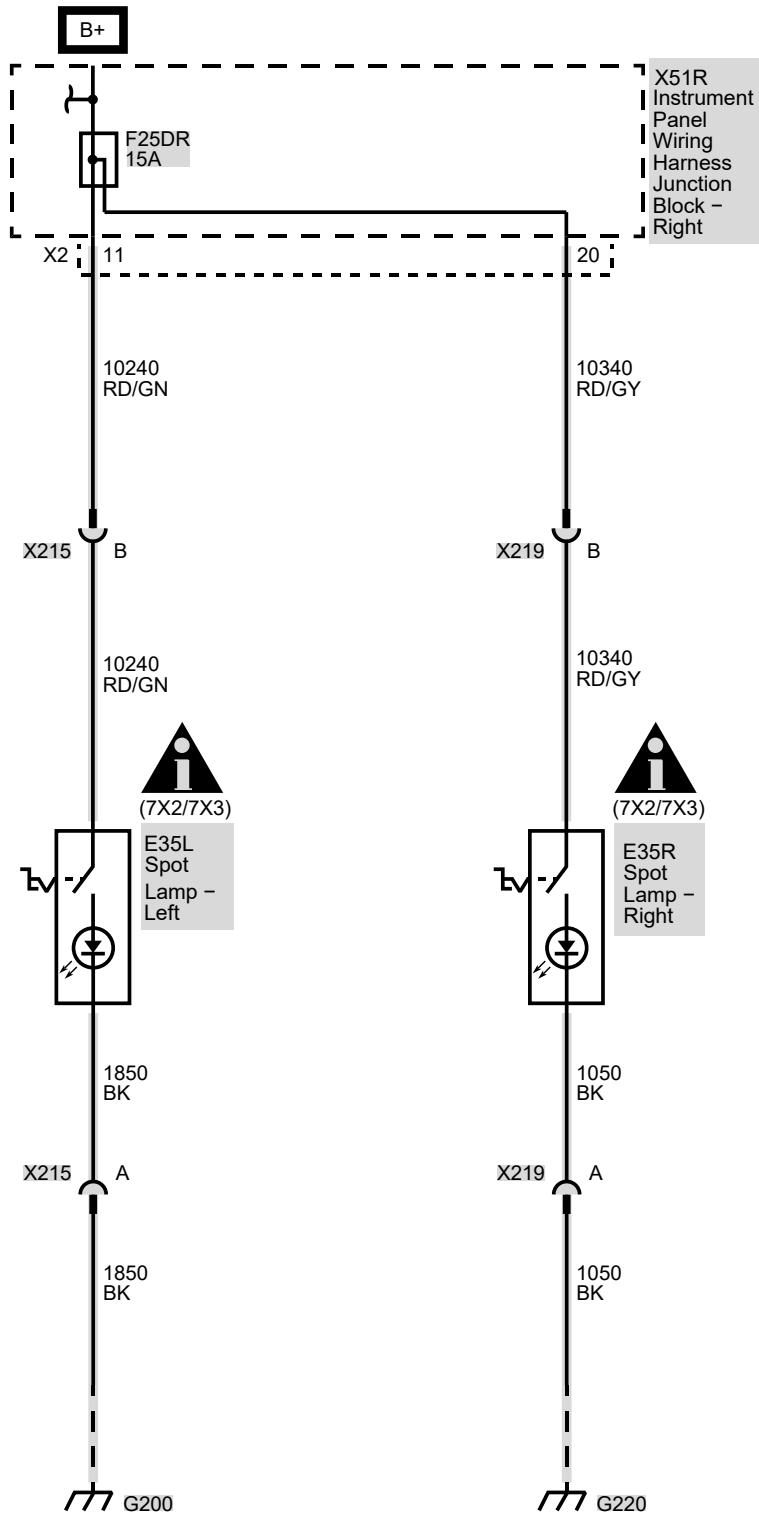
This provision permits customer connection of a switch to select either horn or siren operation when the horn pad is pressed. A 22-gauge (0.35 mm²) wire is connected to an in-line connector in the horn circuit of the instrument panel harness under the instrument panel. The end of this harness extension is a 5-foot (1.5m) loop of wire coiled under the center of the instrument panel.

Note: Wiring connection or splice changes are to be removed before the vehicle is returned to civilian use.



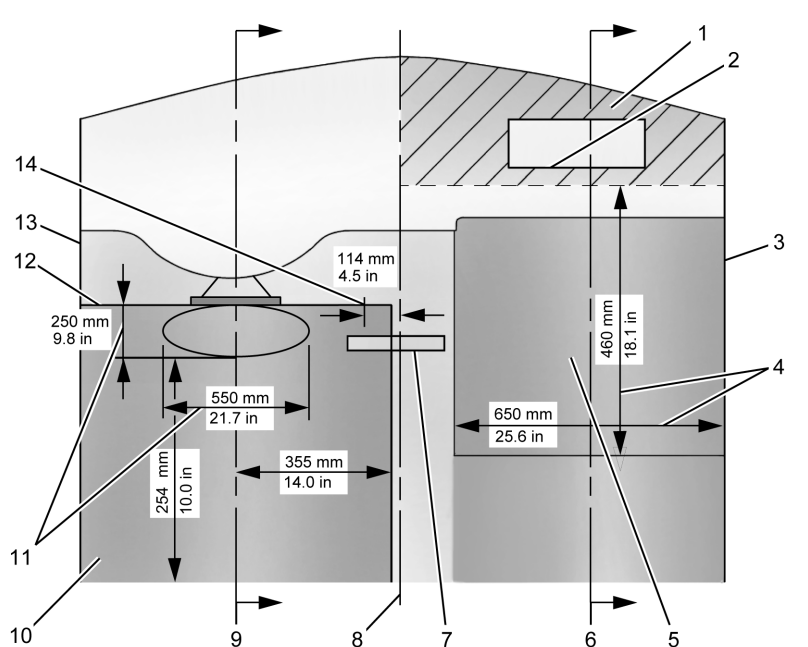
WIRING DIAGRAMS

7X2/7X3 LED SPOT LAMPS



AIRBAG INFLATED DIMENSIONS

INSTRUMENT PANEL TOP VIEW – APPROXIMATE FRONTAL AIRBAG DEPLOYMENT ZONES



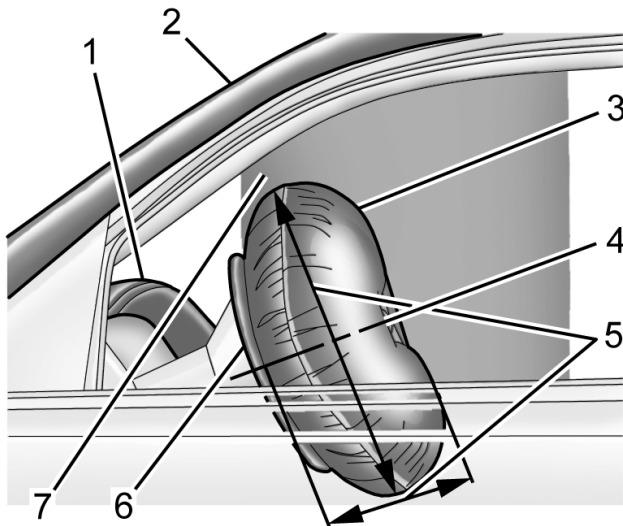
1. Passenger Side Instrument Panel Top Surface Zone
2. Frontal Outboard Passenger Airbag Module Trim Panel – Rear Edge
3. Passenger Side Door
4. Approximate Dimensions of Inflated Airbag
5. Frontal Outboard Passenger Airbag Deployment Zone
6. Passenger Centerline
7. Inside Rearview Mirror
8. Vehicle Centerline
9. Driver Centerline
10. Driver Airbag Deployment Zone
11. Driver Inflated Airbag Dimensions
12. Front of Steering Wheel
(See also "Side View of Driver Frontal Airbag Deployment Zone")
13. Driver Side Door
14. Shift Selector Arc

See Customer-Installed Equipment.

Sitting too close to an airbag when it deploys can increase the risk of serious injury or death. Always use seat belts and the correct restraint for your child's age and size, even with airbags. Even in vehicles equipped with the Passenger Sensing System, children are safer when properly secured in a rear seat in the appropriate infant, child or booster seat. Never place a rear-facing infant restraint in the front seat of any vehicle equipped with an active frontal airbag. See the Owner's Manual and the child safety seat instructions for more safety information.

AIRBAG INFLATED DIMENSIONS

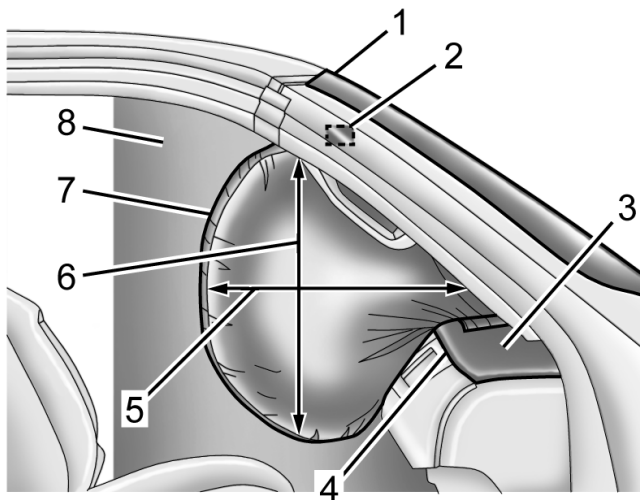
SIDE VIEW OF DRIVER FRONTAL AIRBAG DEPLOYMENT ZONE



1. Top of Instrument Panel
2. Top Edge of Windshield
3. Inflated Airbag – Steering Wheel
4. Centerline of Steering Column at Mid-Tilt
5. Driver Inflated Airbag Dimensions (250 mm (9.8 in) From Front of Steering Wheel and 550 mm (21.7 in) Diameter From Center of Steering Wheel)
6. Front of Steering Wheel
7. Driver Airbag Deployment Zone Including Inflated Driver Airbag

See Customer-Installed Equipment.

SIDE VIEW OF FRONTAL OUTBOARD PASSENGER AIRBAG DEPLOYMENT ZONE



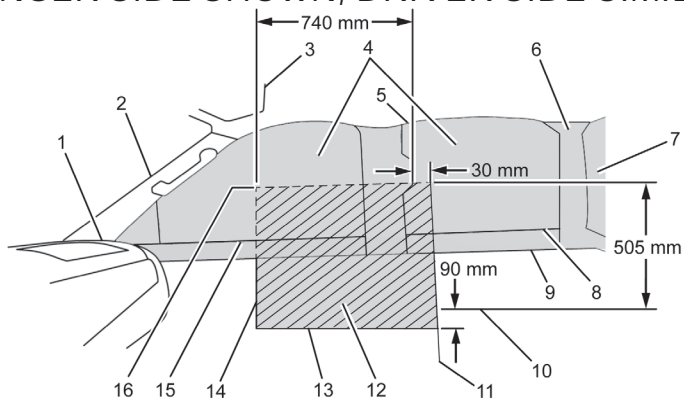
1. Top Edge of Windshield
2. Inside Rearview Mirror
3. Instrument Panel Top Surface Zone
4. Frontal Outboard Passenger Airbag Module Trim Panel – Rear Edge
5. Inflated Airbag – Horizontal Dimension (Approximately 460 mm (18.1 in))
6. Inflated Airbag – Vertical Dimension (from Top of Occupants Lap to Headliner)
7. Inflated Airbag – Instrument Panel
8. Frontal Outboard Passenger Airbag Deployment Zone

See Customer-Installed Equipment.

Sitting too close to an airbag when it deploys can increase the risk of serious injury or death. Always use seat belts and the correct restraint for your child's age and size, even with airbags. Even in vehicles equipped with the Passenger Sensing System, children are safer when properly secured in a rear seat in the appropriate infant, child or booster seat. Never place a rear-facing infant restraint in the front seat of any vehicle equipped with an active frontal airbag. See the Owner's Manual and the child safety seat instructions for more safety information.

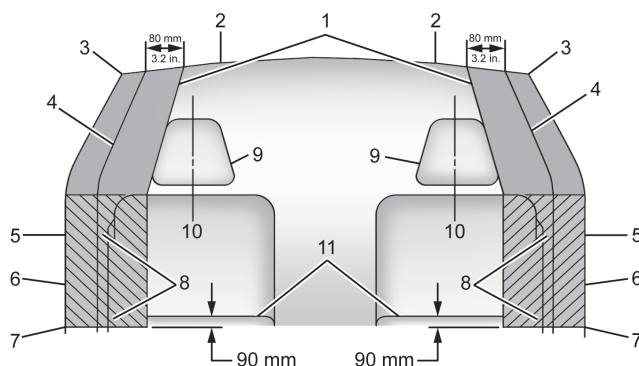
AIRBAG INFLATED DIMENSIONS

ROOF-RAIL MOUNTED HEAD-CURTAIN AIRBAG DEPLOYMENT ZONES – PASSENGER SIDE SHOWN, DRIVER SIDE SIMILAR



- | | |
|--|--|
| 1. Front of Deployment Zone at Bottom of Windshield Pillar Trim | 11. Rear Edge of Seat-Mounted Side Impact Airbag Deployment Zone (30 mm (1.2 in) Rearward of Back Edge of B-Pillar Trim Grab Handle |
| 2. A-Pillar Trim with Grab Handle (Passenger Side) | 12. Seat-Mounted Side Impact Airbag Deployment Zone |
| 3. Sun Visor | 13. Bottom Edge of the Seat-Mounted Side Impact Airbag Zone (90 mm (3.5 in) Below Top of Seat Cushion with the Seat Fully Lowered |
| 4. Roof rail mounted head-curtain Airbag Deployment Zone – Seat Rows 1 and 2 and Cargo Area | 14. Front Edge of Seat Mounted Side Impact Deployment Zone (740 mm (29.1 in) Forward of Back Edge of B-Pillar Trim Grab Handle) |
| 5. Top of Roof rail mounted head-curtain Airbag Deployment Zone – Along Roof-rail at Edge of Headliner | 15. Top Edge of Front Door Trim |
| 6. C-Pillar Upper Trim | 16. Top Edge of Seat-Mounted Side Impact Deployment Zone (505 mm (19.9 in) Above Top Surface of Seat Cushion with the Seat Fully Lowered |
| 7. Rear Window | |
| 8. Top Edge of Rear Door Trim | |
| 9. Bottom Edge of Roof rail mounted head-curtain Airbag Deployment Zone at Top of Side Door Armrests | |
| 10. Top Surface of Front Seat Cushion (with Seat Fully Lowered) | |

ROOF RAIL MOUNTED HEAD CURTAIN AIRBAG - DRIVER AND OUTBOARD FRONT PASSENGER DEPLOYMENT ZONES - VIEW FROM REAR OF



- | | |
|--|---|
| 1. Roof-Rail Mounted Head-Curtain Airbag Deployment Zone | 7. Bottom Edge of Seat-Mounted Side Impact Airbag Deployment Zone (90 mm (3.3 in) Below Top Surface of Outboard Front Seat Cushion with Seat Fully Lowered) |
| 2. Underside of Headliner | 8. Seat-Mounted Side Impact Deployment Zone |
| 3. Edge of Headliner | 9. Front Seat Head Restraint |
| 4. Inner Center and Rear Pillar Trim | 10. Seat Centerline |
| 5. Inner Front and Rear Door | 11. Top of Seat Cushion |
| 6. Side Door Upper Armrests and Rear Quarter Trim Armrests | |

Sitting too close to an airbag when it deploys can increase the risk of serious injury or death. Always use seat belts and the correct restraint for your child's age and size, even with airbags. Even in vehicles equipped with the Passenger Sensing System, children are safer when properly secured in a rear seat in the appropriate infant, child or booster seat. Never place a rear-facing infant restraint in the front seat of any vehicle equipped with an active frontal airbag. See the Owner's Manual and the child safety seat instructions for more safety information.

AIRBAGS FAQ

Q: Can equipment such as radar devices, video cameras, and radio trees be mounted in a specialty vehicle equipped with a right front passenger frontal airbag?

A: Yes, but care must be taken to properly mount the equipment outside of the airbag "deployment zone."

Q: What is the airbag "deployment zone"?

A: The term "deployment zone" describes the space an airbag takes up when fully inflated. Airbags need room to work properly, and anything in the "deployment zone" – such as improperly mounted equipment – can greatly affect the performance of the airbag.

Q: How can I identify the airbag "deployment zone" in my vehicle?

A: See Airbag Deployment Diagrams for more information. The diagrams provide the approximate dimensions of the "deployment zones" for your specialty vehicle. Before doing any service work, including the installation of any equipment, consult the appropriate service manual.

Q: Is it possible to shield equipment so it does not interfere with airbag deployment?

A: While shielding may protect certain equipment from being damaged or dislodged, it may also negatively affect how an airbag inflates. Therefore, we do not recommend the placement of any equipment in the deployment zone, even if shielded.

See "Adding Equipment to the Airbag-Equipped Vehicle" in the owner manual for more information.

Customer-Installed Equipment

Before installing equipment, read the following.

- Airbags inflate with great force, faster than the blink of an eye. No objects, such as shotguns, should be placed over or near the airbag covers. Equipment mounted too close to an inflating airbag could prevent the airbag from operating properly to protect the occupants or could be forced into an occupant or break and become a dangerous projectile, causing severe injury or even death. To help prevent injury and to allow the airbag to perform as it was designed, do not mount equipment inside the airbag deployment zones.
- Do not attach anything to the steering wheel hub or mount any equipment within the deployment zone for the driver airbag.
- Do not mount equipment on the passenger side of the instrument panel top pad deployment zone. Equipment should not be mounted on or around the passenger airbag opening because of a deploying airbag. To allow the airbag to perform as it was designed, do not mount equipment inside the airbag deployment zone.
- Do not mount a security barrier such that the ends of the barrier or brackets are within the roof-rail airbag deployment zones.
- Avoid installing wiring for roof-rail emergency lighting or radio antennas that may restrict the proper deployment of the roof-rail airbags.
- GM approved service procedures must be followed to remove and reinstall the instrument panel to the pad to ensure proper airbag deployment.

Sitting too close to an airbag when it deploys can increase the risk of serious injury or death. Always use seat belts and the correct restraint for your child's age and size, even with airbags. Even in vehicles equipped with the Passenger Sensing System, children are safer when properly secured in a rear seat in the appropriate infant, child or booster seat. Never place a rear-facing infant restraint in the front seat of any vehicle equipped with an active frontal airbag. See the Owner's Manual and the child safety seat instructions for more safety information.

ONSTAR OPTIONS

POU¹	ONSTAR PROTECT - Includes up to 12 Months of OnStar Protect. Emergency Advisors and Security Services.
POJ¹	ONSTAR PROTECT - Includes up to 24 Months of OnStar Protect. Emergency Advisors and Security Services.
POK¹	ONSTAR PROTECT - Includes up to 36 Months of OnStar Protect. Emergency Advisors and Security Services.
POL¹	ONSTAR PROTECT - Includes up to 48 Months of OnStar Protect. Emergency Advisors and Security Services.
POQ¹	ONSTAR PROTECT - Includes up to 60 Months of OnStar Protect. Emergency Advisors and Security Services.
R8G²	ONSTAR ONE FLEET - Includes up to 12 Months of OnStar One Fleet. Includes safety, telematics, Wi-Fi hotspot, and streaming services.
RFH²	ONSTAR ONE FLEET - Includes up to 24 Months of OnStar One Fleet. Includes safety, telematics, Wi-Fi hotspot, and streaming services.
R8P²	ONSTAR ONE FLEET - Includes up to 36 Months of OnStar One Fleet. Includes safety, telematics, Wi-Fi hotspot, and streaming services.
R8Z²	ONSTAR ONE FLEET - Includes up to 48 Months of OnStar One Fleet. Includes safety, telematics, Wi-Fi hotspot, and streaming services.
R8W²	ONSTAR ONE FLEET - Includes up to 60 Months of OnStar One Fleet. Includes safety, telematics, Wi-Fi hotspot, and streaming services.
POV³	ONSTAR TELEMATICS - Includes up to 12 Months of OnStar Telematics. Fleet operations and remote vehicle management.
POW³	ONSTAR TELEMATICS - Includes up to 24 Months of OnStar Telematics. Fleet operations and remote vehicle management.
POX³	ONSTAR TELEMATICS - Includes up to 36 Months of OnStar Telematics. Fleet operations and remote vehicle management.
POY³	ONSTAR TELEMATICS - Includes up to 48 Months of OnStar Telematics. Fleet operations and remote vehicle management.
POZ³	ONSTAR TELEMATICS - Includes up to 60 Months of OnStar Telematics. Fleet operations and remote vehicle management.
POH⁴	ONSTAR CONNECT PLUS - Includes up to 12 Months of OnStar Connect Plus. In-Vehicle entertainment and productivity through access to a suite of apps in your center display including; media streaming, navigation, voice assistance, and Wi-Fi hotspot.
POI⁴	ONSTAR CONNECT PLUS - Includes up to 24 Months of OnStar Connect Plus. In-Vehicle entertainment and productivity through access to a suite of apps in your center display including; media streaming, navigation, voice assistance, and Wi-Fi hotspot.
PQG⁴	ONSTAR CONNECT PLUS - Includes up to 36 Months of OnStar Connect Plus. In-Vehicle entertainment and productivity through access to a suite of apps in your center display including; media streaming, navigation, voice assistance, and Wi-Fi hotspot.
PQH⁴	ONSTAR CONNECT PLUS - Includes up to 48 Months of OnStar Connect Plus. In-Vehicle entertainment and productivity through access to a suite of apps in your center display including; media streaming, navigation, voice assistance, and Wi-Fi hotspot.
PQI⁴	ONSTAR CONNECT PLUS - Includes up to 60 Months of OnStar Connect Plus. In-Vehicle entertainment and productivity through access to a suite of apps in your center display including; media streaming, navigation, voice assistance, and Wi-Fi hotspot.
PQL⁵	ONSTAR VIDEO TELEMATICS WITH HARDWARE - Includes hardware and up to 12 Months of OnStar Video Telematics. Included dash cam provides real-time audio and visual alerts triggered by certain driving behaviors and events. Requires additional paid Telematics plan and is subject to terms. Lytz Surfsght AI-14 camera hardware unit is included in price of Video Telematics with Hardware plan. Installation of camera hardware is not included.
PQM⁵	ONSTAR VIDEO TELEMATICS WITH HARDWARE - Includes hardware and up to 24 Months of OnStar Video Telematics. Included dash cam provides real-time audio and visual alerts triggered by certain driving behaviors and events. Requires additional paid Telematics plan and is subject to terms. Lytz Surfsght AI-14 camera hardware unit is included in price of Video Telematics with Hardware plan. Installation of camera hardware is not included.
PQP⁵	ONSTAR VIDEO TELEMATICS WITH HARDWARE - Includes hardware and up to 36 Months of OnStar Video Telematics. Included dash cam provides real-time audio and visual alerts triggered by certain driving behaviors and events. Requires additional paid Telematics plan and is subject to terms. Lytz Surfsght AI-14 camera hardware unit is included in price of Video Telematics with Hardware plan. Installation of camera hardware is not included.
PQQ⁵	ONSTAR VIDEO TELEMATICS WITH HARDWARE - Includes hardware and up to 48 Months of OnStar Video Telematics. Included dash cam provides real-time audio and visual alerts triggered by certain driving behaviors and events. Requires additional paid Telematics plan and is subject to terms. Lytz Surfsght AI-14 camera hardware unit is included in price of Video Telematics with Hardware plan. Installation of camera hardware is not included.
PQT⁵	ONSTAR VIDEO TELEMATICS WITH HARDWARE - Includes hardware and up to 60 Months of OnStar Video Telematics. Included dash cam provides real-time audio and visual alerts triggered by certain driving behaviors and events. Requires additional paid Telematics plan and is subject to terms. Lytz Surfsght AI-14 camera hardware unit is included in price of Video Telematics with Hardware plan. Installation of camera hardware is not included.
R9L	REMOVES ONSTAR BASICS - Included and only available on vehicles being shipped to Puerto Rico, the Virgin Islands, or Guam. Will delete OnStar Services and OnStar standard equipment.

- Working electrical system, cell reception and GPS signal required. OnStar links to emergency services. Service coverage varies with conditions and location. Service availability, features and functionality vary by device and software version. See gmfleet.com/software/onstar for details and limitations. Non-transferable and non-refundable. Requires (UE1) OnStar. Requires one of the following US Fleet or Government order type: FLS, FNR, FRC, FBC, FGO or FEF. Not available with other OnStar Protect or OnStar One Fleet options. Not available with a ship-to of Guam, Puerto Rico or the Virgin Island.
- Working electrical system, cell reception and GPS signal required. OnStar links to emergency services. Service coverage varies with conditions and location. Service availability, features and functionality vary by device and software version. Requires eligible vehicle. Streaming services vary by device and software version. Terms apply. See gmfleet.com/software/onstar for details and limitations. Non-transferable and non-refundable. Requires (UE1) OnStar and 9VV4) Wi-Fi Hotspot capable. Requires one of the following US Fleet or Government order type: FLS, FNR, FRC, FBC, FGO or FEF. Not available with other OnStar Protect, OnStar One Fleet, OnStar Telematics or OnStar One Plus options. Not available with a ship-to of Guam, Puerto Rico or the Virgin Island.
- Eligible customers must sign up for an account at gmfleet.com/software/onstar. Active connected vehicle services, working electrical system, cell reception and GPS signal required. Service coverage varies with conditions and location. Service availability, features and functionality vary by device and software version. See gmfleet.com/software/onstar for details and limitations. Non-transferable and non-refundable. Requires (UE1) OnStar. Requires one of the following US Fleet or Government order type: FLS, FNR, FRC, FBC, FGO or FEF. Not available with other OnStar Protect, OnStar One Fleet OnStar Telematics options. Not available with a ship-to of Guam, Puerto Rico or the Virgin Island.
- OnStar Connect Plus does not include emergency or security services. Requires eligible vehicle. Streaming services vary with conditions and location. HD Streaming services are subject to terms and limitations. Availability may vary by vehicle, infotainment system, location and active service plan. Hulu subscription required for Hulu service. U.S. only. Terms apply. Hulu and Hulu logo are registered trademarks of Hulu, LLC. See gmfleet.com/software/Onstar for additional details and limitations. Non-transferable and non-refundable. Requires (UE1) OnStar and (VV4) Wi-Fi Hotspot capable. Requires one of the following US Fleet or Government order type: FLS, FNR, FRC, FBC, FGO or FEF. Not available with other OnStar Fleet or OnStar Connect Plus options. Not available with a ship-to of Guam, Puerto Rico or the Virgin Island.
- The interior and front-facing exterior camera views produce video clips that can be viewed with reports and actionable insights in OnStar Vehicle Insights to help optimize fleet operations. Video Telematics with Hardware plan requires additional paid Telematics plan and is subject to terms. Terms apply. Hulu and Hulu logo are registered trademarks of Hulu, LLC. See gmfleet.com/software/Onstar for additional details and limitations. Non-transferable and non-refundable. Requires (UE1) OnStar and (VV4) Wi-Fi Hotspot capable. Requires one of the following US Fleet or Government order type: FLS, FNR, FRC, FBC, FGO or FEF. Not available with other OnStar Video Telematics with Hardware options. Not available with a ship-to of Guam, Puerto Rico or the Virgin Island.

MAINTAINANCE / LIMITED WARRANTY

SCHEDULED MAINTENANCE	One visit within first year of vehicle delivery ¹
BUMPER-TO-BUMPER LIMITED WARRANTY	3 years/36,000 miles ² . Bumper-to-Bumper Limited Warranty with no deductible
TRANSFERABLE POWERTRAIN LIMITED WARRANTY	5 Years / 100,000 Miles ²
TIRES ³	3 years/36,000 miles ² ; coverage prorated after 12,000 miles
ROADSIDE ASSISTANCE AND COURTESY TRANSPORTATION	Qualified Fleet Customers: 5 years/100,000 miles ³
RUST-THROUGH	6 years/100,000 miles ²
CORROSION	3 years/ 36,000 miles ²
WHEEL ALIGNMENT AND BALANCE	Up to 7,500 miles ⁴
RESTRAINT SYSTEM	6 years/72,000 miles ²

1. Includes first required maintenance visit as stated in vehicle maintenance schedule. Maintenance visit consists of oil change, tire rotation and Multi-Point Vehicle Inspection.

2. Whichever comes first. See dealer for limited warranty details. A Qualified Fleet User is defined as a company that has purchased and registered or leased five (5) or more new cars or trucks solely for use in its operation during the current or preceding calendar year, model year, preceding twelve (12) month period, or that owns or leases fifteen (15) or more cars/trucks. Excludes rental customers. See dealer for details.

3. Tires also covered under the Bumper-to-Bumper Warranty but are prorated based upon mileage. See dealer for warranty details. If the vehicle has a warrantable failure, see your Owner's Manual for full details on the Courtesy Transportation program.

4. Customer maintenance item after 7,500 miles.

UPFITTER INTEGRATION LINKS

GM upfitter Integration Technical Bulletins are intended for use by professional technicians, NOT a do-it-yourselfer. They are written to inform these technicians of conditions that may occur on some vehicles, or to provide information that could assist in the proper service and/or modification of a vehicle. These properly trained technicians have the equipment, tools, safety instructions and know-how to do a job properly and safely. If a condition is described, DO NOT assume that the bulletin applies to your vehicle or that your vehicle will have that condition. Contact GM Upfitter Integration or information on whether the information is applicable to your vehicle.

GM LINKS QUICK LINKS

GM FLEET GUIDE - <https://www.gmfleet.com/resources/guides-and-manuals>

CHEVROLET COMMERCIAL VEHICLES - Versatility meets performance, efficiency, and technology in every Chevrolet commercial vehicle. With a proven lineup of dependable trucks and vans.

<https://www.chevrolet.com/commercial>

ONLINE ORDER GUIDES - Online Order / Reference Guide is intended solely for reference purposes only. Certain models, options or equipment may be available only to customers who qualify as fleet or commercial customers.

<https://www.gmfleetorderguide.com/map>

GM ACCESSIBILITY - Get information about vehicles that suit the individual requirements of special-needs drivers, and programs to make them more affordable.

<https://www.gmfleet.com>

OWNER SERVICE MANUALS - For Manuals and CD ROMS: Factory Repair Manuals, Owner Manuals, ETMs, Wiring Diagrams, Body Repair Manuals, Collision Books, TSBs.

https://experience.gm.com/certified-service?evar25=xbhub_globalnav_service

SVM LOCATOR - General Motors Special Vehicle Manufacturers provide quality upfit products that enhance GM trucks and vans. SVMs are selected on the merit of their upfit/conversion, financial stability, and adherence to the governmental and trade association requirements.

http://www.gmfleet.com/fleet/finddealer/svmlocator_landing.jsp

GM UPFITTER INTEGRATION - QUICK LINKS (NON-GM LINKS)

The following links will launch you to an independent website outside of General Motors, which has its own privacy policies;

INTERNATIONAL FLEET SALES - International Fleet Sales (IFS) is the authorized export distributor of General Motors vehicles, parts and service.

<http://www.internationalfleetsales.com/>

AC DELCO TECHCONNECT - Comprehensive coverage, product quality, competitive prices, and industry-leading training make the AC Delco All Makes, All Models product line a true winner and a must-have for Independent Service Centers.

<https://www.acdelcotds.com/subscriptions>

FIRST RESPONDERS - Here you will find information to assist First Responders in learning about vehicles and/or systems that may affect how they perform in an emergency situation.

<https://www.gmstc.com/index.php/first-responders>

TRAINING - Here you will find information on how to obtain GM Technical Training for Dealers, Fleet Customers and Non GM dealers. <https://www.gmupfitter.com/wp-content/uploads/2023/09/Training.pdf>

NATIONAL TRUCK EQUIPMENT ASSOCIATION (NTEA) – TECHNICAL RESOURCES - How to obtain supportive information such as an FMVSS Guide, Weight Calculators and OEM Chassis Considerations Guide and more.

<https://www.ntea.com/technicalresources>



GM reserves the right to make changes at any time, without notice, in prices, colors, materials, equipment, specifications, models, and availability. Specifications, dimensions, measurements, ratings, and other numbers in this catalog and other printed materials provided at the dealership or affixed to vehicles are approximates based upon design and engineering drawings and prototypes and laboratory tests. Your vehicle may differ due to variations in manufacture and equipment. Since some information may have been updated since the time of printing, please check with your GM dealer for complete details. Some of the equipment shown or described throughout this publication may be available at extra cost, and/or is supplied by an independent supplier.

Copyright 2025 General Motors. All rights reserved. All text, images, graphics, and other materials in this publication are subject to the copyright and other intellectual property rights of General Motors. These materials may not be reproduced, distributed, or modified without the express written permission of General Motors. The marks appearing in this publication including, but not limited to: GM and the GM logo; Chevrolet and their respective logos, emblems, slogans, and vehicle model names and body designs; and other marks such as GM FLEET and Commercial are trademarks and/or service marks of General Motors, its subsidiaries, affiliates, or licensors.

For more detailed information, contact your District Sales Manager or see;

<https://www.gmfleet.com/resources/guides-and-manuals>

